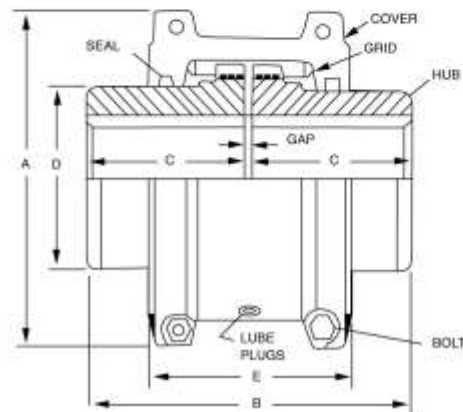


TAPER GRID COUPLING

Horizontal Split Aluminium Cover (TYPE H)



Cover Profiles

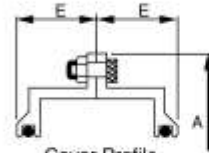


Size	HP per 100 RPM	KW per 100 RPM	Max Speed (RPM)	Basic Torque (Nm)	Bore Dia (mm)		Dimensions (mm)					Gap (mm)			Cplg wt (kg)	Lube wt (kg)
					Max	Min	A	B	C	D	E	Min	Normal	Max		
1020	0.68	0.51	4 500	49	30	12	101.6	98	47.5	39.7	66.5	1.5	3	4.5	1.9	0.03
1030	1.93	1.44	4 500	138	35	12	110	98	47.5	49.2	68.3	1.5	3	4.5	2.6	0.03
1040	3.22	2.4	4 500	230	43	12	117.5	104.6	50.8	57.1	70	1.5	3	4.5	3.4	0.05
1050	5.63	4.19	4 500	403	50	12	138	123.6	60.3	66.7	79.5	1.5	3	4.5	5.4	0.05
1060	8.85	6.60	4 350	634	55	19	150.5	130	63.5	78.2	92	1.5	3	4.5	7.3	0.09
1070	13	9.68	4 125	922	65	19	161.9	155.4	76.2	87.3	95	1.5	3	4.5	10	0.11
1080	27	20.13	3 600	1 901	78	27	194	180.8	88.9	104.8	116	1.5	3	4.5	18	0.17
1090	48	35.79	3 600	3 456	95	27	213	199.8	98.4	123.8	122	1.5	3	6	25	0.25
1100	81	60.4	2 400	5 818	107	41	250	245.7	120.6	142	155.5	1.5	3	6	42	0.43
1110	121	90.23	2 250	8 641	117	41	270	258.5	127	160.3	161.5	1.5	4.5	9.5	54	0.51
1120	177	131.99	2 025	12 674	136	60	308	304.4	149.2	179.4	191.5	1.5	4.5	9.5	81	0.73
1130	258	192.93	1 800	18 434	165	67	346	329.9	161.9	217.5	195	1.5	6	12.5	121	0.91
1140	370	275.91	1 650	26 499	184	67	384	371.6	182.8	254	201	1.5	6	12.5	178	1.13
1150	515	384.03	1 500	36 869	203	108	453.1	371.8	182.9	289.2	271.3	1.5	6	12.5	234	1.95
1160	724	539.89	1 350	51 847	228	121	501.4	402.2	198.1	304.8	278.9	1.5	6	12.5	317	2.81
1170	965	719.6	1 225	69 129	279	133	566.4	437.8	215.9	355.6	304.3	1.5	6	12.5	448	3.49
1180	1 338	997.75	1 100	95 858	311	152	629.9	483.6	238.8	393.7	321.1	1.5	6	12.5	619	3.76
1190	1 770	1 319.89	1 050	126 736	339	152	675.6	524.2	259.1	436.9	325.1	1.5	6	12.5	776	4.40
1200	2 413	1 799.37	900	172 822	361	178	756.9	564.8	279.4	497.8	355.6	1.5	6	12.5	1 057	5.62

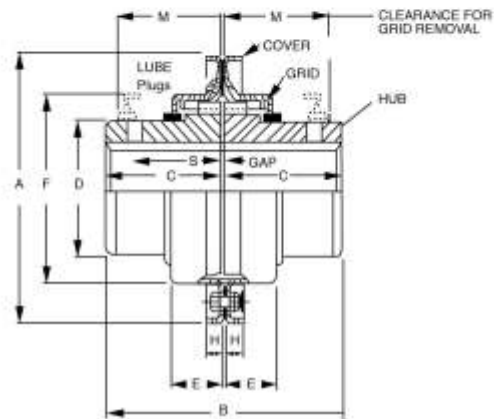
Coupling weight pilot bored

TAPER GRID COUPLING

Vertical Split Steel Cover (TYPE V)



Cover Profile
Size: 1150-1200



Size	HP per 100 RPM	KW per 100 RPM	Max Speed (RPM)	Basic Torque (Nm)	Bore Dia (mm)		Dimensions (mm)					Gap (mm)			Cplg wt (kg)	Lube wt (kg)
					Max	Min	A	B	C	D	E	Min	Normal	Max		
1020	0.68	0.51	6 000	49	30	12	111.1	98	47.5	39.7	24.2	1.5	3	4.5	2	0.03
1030	1.93	1.44	6 000	138	35	12	120.7	98	47.5	49.2	25	1.5	3	4.5	2.6	0.03
1040	3.22	2.4	6 000	230	43	12	128.5	104.6	50.8	57.1	25.7	1.5	3	4.5	3.4	0.05
1050	5.63	4.19	6 000	403	50	12	147.6	123.6	60.3	66.7	31.2	1.5	3	4.5	5.4	0.06
1060	8.85	6.60	6 000	634	55	19	162	130	63.5	76.2	32.2	1.5	3	4.5	7.3	0.09
1070	13	9.69	5500	922	65	19	173	155.4	76.2	87.3	33.7	1.5	3	4.5	10.4	0.11
1080	27	20.13	4 750	1 901	78	27	200	180.8	88.9	104.8	44.2	1.5	3	4.5	17.7	0.17
1090	48	35.79	4 000	3 456	95	27	231.8	199.8	98.4	123.8	47.7	1.5	3	6	25.4	0.25
1100	81	60.4	3 250	5 818	107	41	266.7	254.7	120.6	142	60	1.5	3	6	42.2	0.43
1110	121	90.23	3 000	8 641	117	41	285.8	258.5	127	160.3	64.2	1.5	4.5	12.5	54.4	0.51
1120	177	131.99	2 700	12 674	136	60	319	304.4	149.2	179.4	73.4	1.5	4.5	12.5	81.6	0.73
1130	257	192.93	2 400	18 434	165	67	377.8	329.8	161.9	217.5	75.1	1.5	6	12.5	122.5	0.91
1140	370	275.91	2 200	26 499	184	67	416	371.6	182.8	254	78.2	1.5	6	12.5	180.1	1.13
1150	515	384.03	2 000	36 869	203	108	476.3	371.8	182.9	269.2	106.9	1.5	6	12.5	230	1.95
1160	724	539.89	1 750	51 847	228	121	533.4	402.2	198.1	304.8	114.3	1.5	6	12.5	321.1	2.81
1170	965	719.6	1 600	69 129	279	133	584.2	437.8	215.9	355.6	119.4	1.5	6	12.5	448.2	3.49
1180	1 338	997.75	1 400	95 858	311	152	630	483.6	238.8	393.7	130	1.5	6	12.5	591	3.76
1190	1 770	1 319.89	1 300	126 736	339	152	685	524.2	259.1	436.9	135	1.5	6	12.5	761	4.40
1200	2 413	1 799.37	1 100	172 822	361	178	737	564.8	279.4	497.8	145	1.5	6	12.5	1 021	5.62

Coupling weight pilot bored