



**BLACKSHOW
AFRICA**

POWER TRANSMISSION PARTS

Spare parts in-stock when you need them

CHAIN



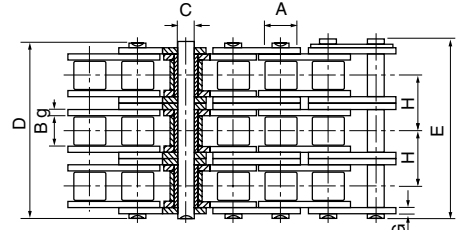
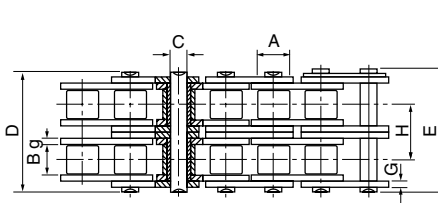
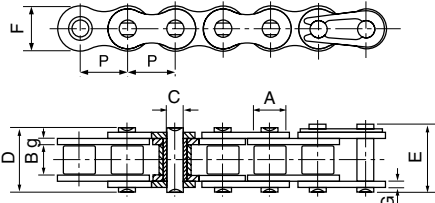
www.blackshowafrica.co.za

Roller Chain

British Standard Roller Chain

BS228, ISO R606, DIN 8187

Series B Roller Chain



ISO Chain number	Pitch P	Roller diameter A	Width between inner plates B	Pin diameter C	Pin length		Inner plate height F	Plate thickness g/G	Transverse pitch H	Minimum tensile strength kN	Average tensile strength kN	Weight kgf/m
					D	E						
SIMPLEX												
04B-1	6.000	4.00	2.80	1.85	6.80	7.80	5.00	0.60	-	3.00	3.20	0.11
05B-1	8.000	5.00	3.00	2.31	8.20	8.90	7.10	0.80	-	5.00	5.90	0.20
*06B-1	9.525	6.35	5.72	3.28	13.15	14.10	8.20	1.30	-	9.00	10.40	0.41
08B-1	12.700	8.51	7.75	4.45	16.70	18.20	11.80	1.60	-	18.00	19.40	0.69
10B-1	15.875	10.16	9.65	5.08	19.50	20.90	14.70	1.70	-	22.40	27.50	0.93
12B-1	19.050	12.07	11.68	5.72	22.50	24.20	16.00	1.85	-	29.00	32.20	1.15
16B-1	25.400	15.88	17.02	8.28	36.10	37.40	21.00	4.15/3.1	-	60.00	72.80	2.71
20B-1	31.750	19.05	19.56	10.19	41.30	45.00	26.40	4.5/3.5	-	95.00	106.70	3.70
24B-1	38.100	25.40	25.40	14.63	53.40	57.80	33.20	6.0/4.8	-	160.00	178.00	7.10
28B-1	44.450	27.94	30.99	15.90	65.10	69.50	36.70	7.5/6.0	-	200.00	222.00	8.50
32B-1	50.800	29.21	30.99	17.81	66.00	71.00	42.00	7.0/6.0	-	250.00	277.50	10.25
40B-1	63.500	39.37	38.10	22.89	82.20	89.20	52.96	8.5/8.0	-	355.00	394.00	16.35
48B-1	76.200	48.26	45.72	29.24	99.10	107.00	63.80	12.0/10.0	-	560.00	621.60	25.00
56B-1	88.900	53.98	53.34	34.32	114.60	123.00	77.80	13.5/12.0	-	850.00	940.00	35.88
64B-1	101.600	63.50	60.96	39.40	130.00	138.50	90.17	15.0/13.0	-	1120.00	1240.00	46.50
DUPLEX												
05B-2	8.000	5.00	3.00	2.31	13.90	14.50	7.10	0.80	5.64	7.80	10.20	0.33
*06B-2	9.525	6.35	5.72	3.28	23.40	24.40	8.20	1.30	10.24	16.90	18.70	0.77
08B-2	12.700	8.51	7.75	4.45	31.20	32.20	11.80	1.60	13.92	32.00	38.70	1.34
10B-2	15.875	10.16	9.65	5.08	36.10	37.50	14.70	1.70	16.59	44.50	56.20	1.84
12B-2	19.050	12.07	11.68	5.72	42.00	43.60	16.00	1.85	19.46	57.80	66.10	2.31
16B-2	25.400	15.88	17.02	8.28	68.00	69.30	21.00	4.15/3.1	31.88	106.00	133.00	5.42
20B-2	31.750	19.05	19.56	10.19	77.80	81.50	26.40	4.5/3.5	36.45	170.00	211.20	7.20
24B-2	38.100	25.40	25.40	14.63	101.70	106.20	33.20	6.0/4.8	48.36	280.00	319.20	13.40
28B-2	44.450	27.94	30.99	15.90	124.60	129.10	36.70	7.5/6.0	59.56	360.00	406.80	16.60
32B-2	50.800	29.21	30.99	17.81	124.60	129.60	42.00	7.0/6.0	58.55	450.00	508.50	21.00
40B-2	63.500	39.37	38.10	22.89	154.50	161.50	52.96	8.5/8.0	72.29	630.00	711.90	32.00
48B-2	76.200	48.26	45.72	29.24	190.40	198.20	63.80	12.0/10.0	91.21	1000.00	1130.00	50.00
56B-2	88.900	53.98	53.34	34.32	221.20	229.60	77.80	13.5/12.0	106.60	1600.00	1760.00	71.76
64B-2	101.600	63.50	60.96	39.40	249.90	258.40	90.17	15.0/13.0	119.89	2000.00	2200.00	93.00
TRIPLEX												
05B-3	8.000	5.00	3.00	2.31	19.50	20.20	7.10	0.80	5.64	11.10	13.80	0.48
*06B-3	9.525	6.35	5.72	3.28	33.50	34.60	8.20	1.30	10.24	24.90	30.10	1.16
08B-3	12.700	8.51	7.75	4.45	45.10	46.10	11.80	1.60	13.92	47.50	57.80	2.03
10B-3	15.875	10.16	9.65	5.08	52.70	54.10	14.70	1.70	16.59	66.70	84.50	2.77
12B-3	19.050	12.07	11.68	5.72	61.50	63.10	16.00	1.85	19.46	86.70	101.80	3.46
16B-3	25.400	15.88	17.02	8.28	99.80	101.20	21.00	4.15/3.1	31.88	160.00	203.70	8.13
20B-3	31.750	19.05	19.56	10.19	114.20	117.90	26.40	4.5/3.5	36.45	250.00	290.00	10.82
24B-3	38.100	25.40	25.40	14.63	150.10	154.60	33.20	6.0/4.8	48.36	425.00	493.00	20.10
28B-3	44.450	27.94	30.99	15.90	184.20	188.70	36.70	7.5/6.0	59.56	530.00	609.50	24.92
32B-3	50.800	29.21	30.99	17.81	183.20	188.20	42.00	7.0/6.0	58.55	670.00	770.50	31.56
40B-3	63.500	39.37	38.10	22.89	226.80	233.80	52.96	8.5/8.0	72.29	950.00	1092.50	48.10
48B-3	76.200	48.26	45.72	29.24	281.60	289.40	63.80	12.0/10.0	91.21	1500.00	1710.00	75.00
56B-3	88.900	53.98	53.34	34.32	327.80	336.20	77.80	13.5/12.0	106.60	2240.00	2240.00	107.64
64B-3	101.600	63.50	60.96	39.40	369.80	378.30	90.17	15.0/13.0	119.89	3000.00	3300.00	139.50

Sizes 24B through to 64B are available with standard and spin riveted pins, see price list.

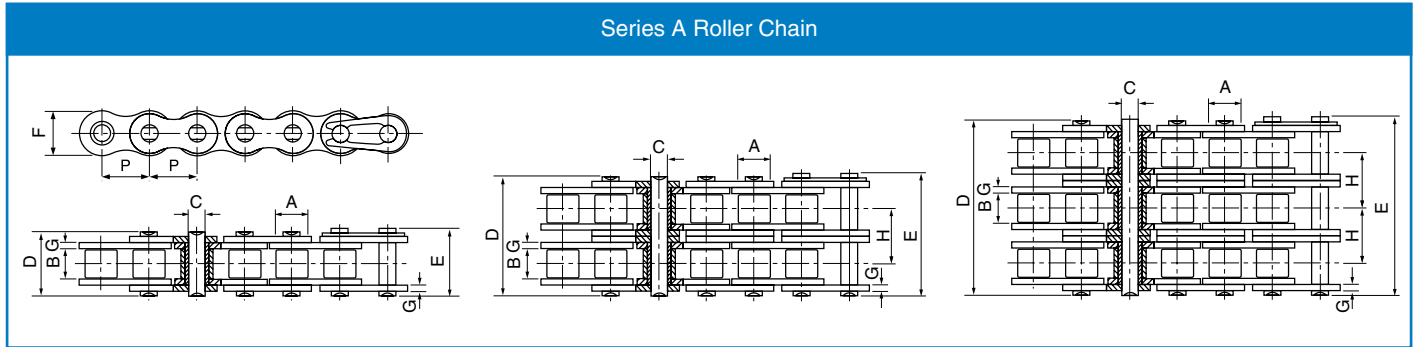
* Straight Side Plate Chain
Standard boxed lengths are 5 metres Special lengths available

All dimensions in millimetres unless otherwise stated. Every effort has been taken to ensure that the data listed in this catalogue is correct.

Roller Chain

ANSI Standard Roller Chain

ANSI B29.1, ISO R606, DIN 8188



ANSI Chain number	Pitch	Roller diameter	Width between inner plates	Pin diameter	Pin length		Inner plate height	Plate thickness	Transverse pitch	Minimum tensile strength	Average tensile strength	Weight
	P	A	B	C	D	E	F	G	H	kN	kN	kgf/m
SIMPLEX												
*15-1	4.763	2.48	2.38	1.62	6.10	6.90	4.30	0.60	-	1.8	2.0	0.08
*25-1	6.350	3.30	3.18	2.31	7.90	8.40	6.00	0.80	-	3.5	4.6	0.15
*35-1	9.525	5.08	4.77	3.58	12.40	13.17	9.00	1.30	-	7.9	10.8	0.33
41-1	12.700	7.77	6.25	3.58	13.75	15.00	9.91	1.30	-	6.7	12.6	0.41
40-1	12.700	7.95	7.85	3.96	16.60	17.80	12.00	1.50	-	14.1	17.5	0.62
50-1	15.875	10.16	9.40	5.08	20.70	22.20	15.09	2.03	-	22.2	29.4	1.02
60-1	19.050	11.91	12.57	5.94	25.90	27.70	18.00	2.42	-	31.8	41.5	1.50
80-1	25.400	15.88	15.75	7.92	32.70	35.00	24.00	3.25	-	56.7	69.4	2.60
100-1	31.750	19.05	18.90	9.53	40.40	44.70	30.00	4.00	-	88.5	109.2	3.91
120-1	38.100	22.23	25.22	11.10	50.30	54.30	35.70	4.80	-	127.0	156.3	5.62
140-1	44.450	25.40	25.22	12.70	54.40	59.00	41.00	5.60	-	172.4	212.0	7.50
160-1	50.800	28.58	31.55	14.27	64.80	69.60	47.80	6.40	-	226.8	278.9	10.10
180-1	57.150	35.71	35.48	17.46	72.80	78.60	53.60	7.20	-	280.2	341.8	13.45
200-1	63.500	39.68	37.85	19.85	80.30	87.20	60.00	8.00	-	353.8	431.6	16.15
240-1	76.200	47.63	47.35	23.81	95.50	103.00	72.39	9.50	-	510.3	622.5	23.20
DUPLEX												
*25-2	6.350	3.30	3.18	2.31	14.50	15.00	6.00	0.80	6.40	7.0	8.6	0.28
*35-2	9.525	5.08	4.77	3.58	22.50	23.30	9.00	1.30	10.13	15.8	19.7	0.63
41-2	12.700	7.77	6.25	3.58	25.70	26.90	9.91	1.30	11.95	13.3	16.9	0.81
40-2	12.700	7.95	7.85	3.96	31.00	32.20	12.00	1.50	14.38	28.2	35.9	1.12
50-2	15.875	10.16	9.40	5.08	38.90	40.40	15.09	2.03	18.11	44.4	58.1	2.00
60-2	19.050	11.91	12.57	5.94	48.80	50.50	18.00	2.42	22.78	63.6	82.1	2.92
80-2	25.400	15.88	15.75	7.92	62.70	64.30	24.00	3.25	29.29	113.4	141.8	5.15
100-2	31.750	19.05	18.90	9.53	76.40	80.50	30.00	4.00	35.76	177.0	219.4	7.80
120-2	38.100	22.23	25.22	11.10	95.80	99.70	35.70	4.80	45.44	254.0	314.9	11.70
140-2	44.450	25.40	25.22	12.70	103.30	107.90	41.00	5.60	48.87	344.8	427.5	15.14
160-2	50.800	28.58	31.55	14.27	123.30	128.10	47.80	6.40	58.55	453.6	562.4	20.14
180-2	57.150	35.71	35.48	17.46	138.60	144.40	53.60	7.20	65.84	560.5	695.0	29.22
200-2	63.500	39.68	37.85	19.85	151.90	158.80	60.00	8.00	71.55	707.6	877.4	32.24
240-2	76.200	47.63	47.35	23.81	183.40	190.80	72.39	9.50	87.83	1020.6	1255.3	45.23
TRIPLEX												
*25-3	6.350	3.30	3.18	2.31	21.00	21.50	6.00	0.80	6.40	10.5	12.6	0.44
*35-3	9.525	5.08	4.77	3.58	32.70	33.50	9.00	1.30	10.13	23.7	28.6	1.05
40-3	12.700	7.95	7.85	3.96	45.40	46.60	12.00	1.50	14.38	42.3	50.0	1.90
50-3	15.875	10.16	9.40	5.08	57.00	58.50	15.09	2.03	18.11	66.6	77.8	3.09
60-3	19.050	11.91	12.57	5.94	71.50	73.30	18.00	2.42	22.78	95.4	111.1	4.54
80-3	25.400	15.88	15.75	7.92	91.70	93.60	24.00	3.25	29.29	170.1	198.4	7.89
100-3	31.750	19.05	18.90	9.53	112.20	116.30	30.00	4.00	35.76	265.5	309.6	11.77
120-3	38.100	22.23	25.22	11.10	141.40	145.20	35.70	4.80	45.44	381.0	437.2	17.53
140-3	44.450	25.40	25.22	12.70	152.20	156.80	41.00	5.60	48.87	517.2	593.3	22.20
160-3	50.800	28.58	31.55	14.27	181.80	186.60	47.80	6.40	58.55	680.4	780.6	30.02
180-3	57.150	35.71	35.48	17.46	204.40	210.20	53.60	7.20	65.84	840.7	983.6	38.22
200-3	63.500	39.68	37.85	19.85	223.50	230.40	60.00	8.00	71.55	1061.4	1217.8	49.03
240-3	76.200	47.63	47.35	23.81	271.30	278.60	72.39	9.50	87.83	1530.9	1756.5	71.60

* Bush chain: A in the table indicates the external diameter of the bush

Standard boxed lengths are 5 metres. Special lengths available.

Every effort has been taken to ensure that the data listed in this catalogue is correct.

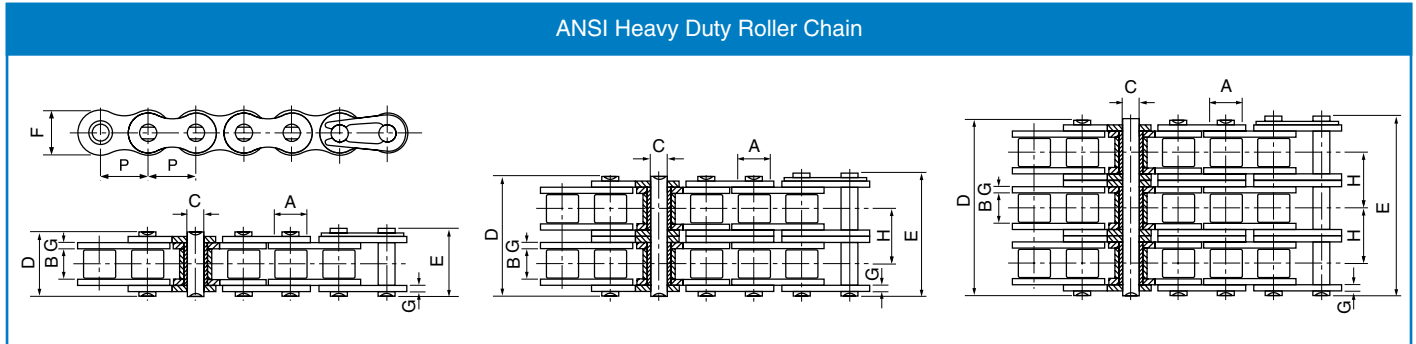
All dimensions in millimetres unless otherwise stated.

Chain Drives

Roller Chain

ANSI Heavy Duty Roller Chain

ANSI B29.1, ISO R606, DIN 8188



ANSI Chain number	Pitch	Roller diameter	Width between inner plates	Pin diameter	Pin length		Inner plate height	Plate thickness	Transverse pitch	Minimum tensile strength	Average tensile strength	Weight
	P	A	B	C	D	E	F	G	H	kN	kN	kgf/m
SIMPLEX												
40H-1	12.700	7.95	7.85	3.96	18.80	19.90	12.00	2.03	-	14.10	19.10	0.82
50H-1	15.875	10.16	9.40	5.08	22.10	23.40	15.09	2.42	-	22.20	30.20	1.25
60H-1	19.050	11.91	12.57	5.94	29.20	31.00	18.00	3.25	-	31.80	42.70	1.87
80H-1	25.400	15.88	15.75	7.92	36.20	37.70	24.00	4.00	-	56.70	71.40	3.10
100H-1	31.750	19.05	18.90	9.53	43.60	46.90	30.00	4.80	-	88.50	112.40	4.52
120H-1	38.100	22.23	25.22	11.10	53.50	57.50	35.70	5.60	-	127.00	160.90	6.60
140H-1	44.450	25.40	25.22	12.70	57.60	62.20	41.00	6.40	-	172.40	217.30	8.30
160H-1	50.800	28.58	31.55	14.27	68.20	73.00	47.80	7.20	-	226.80	285.80	10.30
200H-1	63.500	39.68	37.85	19.85	86.60	93.50	60.00	9.50	-	353.80	444.50	19.16
DUPLEX												
60H-2	19.050	11.91	12.57	5.94	55.30	57.10	18.00	3.25	26.11	63.60	84.50	3.71
80H-2	25.400	15.88	15.75	7.92	68.80	70.30	24.00	4.00	32.59	113.40	145.30	6.15
100H-2	31.750	19.05	18.90	9.53	82.70	86.00	30.00	4.80	39.09	177.00	225.90	9.03
120H-2	38.100	22.23	25.22	11.10	102.40	106.40	35.70	5.60	48.87	254.00	322.70	13.13
140H-2	44.450	25.40	25.22	12.70	109.80	114.40	41.00	6.40	52.20	344.80	437.70	16.60
160H-2	50.800	28.58	31.55	14.27	130.10	134.90	47.80	7.20	61.90	453.60	571.60	20.20
200H-2	63.500	39.68	37.85	19.85	164.90	171.80	60.00	9.50	78.31	707.60	894.90	38.11
TRIPLEX												
60H-3	19.050	11.91	12.57	5.94	81.40	83.20	18.00	3.25	26.11	95.40	113.90	5.54
80H-3	25.400	15.88	15.75	7.92	101.40	102.90	24.00	4.00	32.59	170.10	203.50	9.42
100H-3	31.750	19.05	18.90	9.53	121.80	125.10	30.00	4.80	39.09	265.50	314.80	12.96
120H-3	38.100	22.23	25.22	11.10	151.20	155.20	35.70	5.60	48.87	381.00	444.70	19.64
140H-3	44.450	25.40	25.22	12.70	162.00	166.60	41.00	6.40	52.20	517.20	598.40	24.90
160H-3	50.800	28.58	31.55	14.27	192.00	196.80	47.80	7.20	61.90	680.40	787.30	30.10
200H-3	63.500	39.68	37.85	19.85	243.20	250.10	60.00	9.50	78.31	1061.40	1228.20	57.06

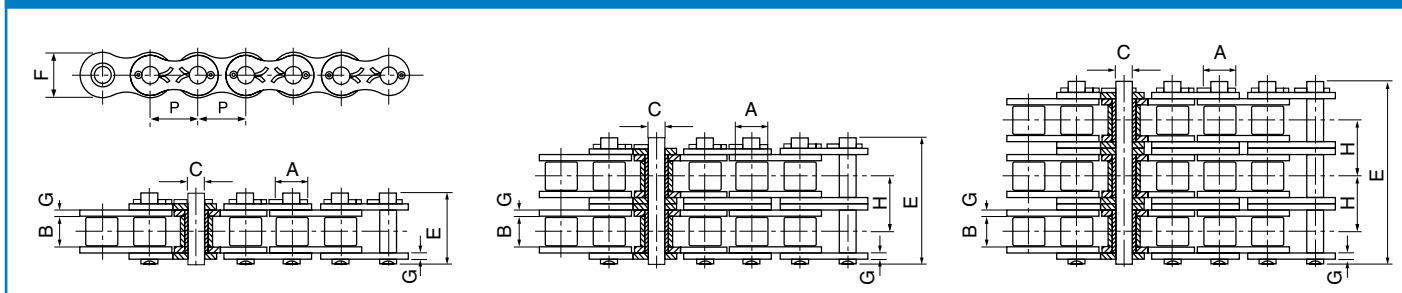
Standard boxed lengths are 5 metres
Special lengths available.

Roller Chain

ANSI Cotted Series Roller Chain

ANSI B29.1, ISO R606, DIN 8188

ANSI Cotted A Series Roller Chain



ANSI Chain number	Pitch	Roller diameter	Width between inner plates	Pin diameter	Pin length	Inner plate height	Plate thickness	Transverse pitch	Minimum tensile strength	Average tensile strength	Weight
	P	A	B	C	E	F	G		H	kN	
SIMPLEX											
50-1	15.875	10.16	9.40	5.08	23.00	15.09	2.03	-	22.20	29.40	1.02
60-1	19.050	11.91	12.57	5.94	28.30	18.00	2.42	-	31.80	41.50	1.50
80-1	25.400	15.88	15.75	7.92	36.50	24.00	3.25	-	56.70	69.40	2.60
100-1	31.750	19.05	18.90	9.53	44.70	30.00	4.00	-	88.50	109.20	3.91
120-1	38.100	22.23	25.22	11.10	54.30	35.70	4.80	-	127.00	156.30	5.62
140-1	44.450	25.40	25.22	12.70	59.00	41.00	5.60	-	172.40	212.00	7.50
160-1	50.800	28.58	31.55	14.27	69.60	47.80	6.40	-	226.80	278.90	10.10
180-1	57.150	35.71	35.48	17.46	78.60	53.60	7.20	-	280.20	341.80	13.45
200-1	63.500	39.68	37.85	19.85	87.20	60.00	8.00	-	353.80	431.60	16.15
240-1	76.200	47.63	47.35	23.81	103.00	72.39	9.50	-	510.30	622.50	23.20
DUPLEX											
50-2	15.875	10.16	9.40	5.08	41.20	15.09	2.03	18.11	44.40	58.10	2.00
60-2	19.050	11.91	12.57	5.94	51.10	18.00	2.42	22.78	63.60	82.10	2.92
80-2	25.400	15.88	15.75	7.92	65.80	24.00	3.25	29.29	113.40	141.80	5.15
100-2	31.750	19.05	18.90	9.53	80.50	30.00	4.00	35.76	177.00	219.40	7.80
120-2	38.100	22.23	25.22	11.10	99.70	35.70	4.80	45.44	254.00	314.90	11.70
140-2	44.450	25.40	25.22	12.70	107.90	41.00	5.60	48.87	344.80	427.50	15.14
160-2	50.800	28.58	31.55	14.27	128.10	47.80	6.40	58.55	453.60	562.40	20.14
180-2	57.150	35.71	35.48	17.46	144.40	53.60	7.20	65.84	560.50	695.00	29.22
200-2	63.500	39.68	37.85	19.85	158.80	60.00	8.00	71.55	707.60	877.40	32.24
240-2	76.200	47.63	47.35	23.81	190.80	72.39	9.50	87.83	1020.60	1255.30	45.23
TRIPLEX											
50-3	15.875	10.16	9.40	5.08	59.30	15.09	2.03	18.11	66.60	77.80	3.09
60-3	19.050	11.91	12.57	5.94	73.90	18.00	2.42	22.78	95.40	111.10	4.54
80-3	25.400	15.88	15.75	7.92	93.60	24.00	3.25	29.29	170.10	198.40	7.89
100-3	31.750	19.05	18.90	9.53	116.30	30.00	4.00	35.76	265.50	309.60	11.77
120-3	38.100	22.23	25.22	11.10	145.20	35.70	4.80	45.44	381.00	437.20	17.53
140-3	44.450	25.40	25.22	12.70	156.80	41.00	5.60	48.87	517.20	593.30	22.20
160-3	50.800	28.58	31.55	14.27	186.60	47.80	6.40	58.55	680.40	780.60	30.02
180-3	57.150	35.71	35.48	17.46	210.20	53.60	7.20	65.84	840.70	983.60	38.22
200-3	63.500	39.68	37.85	19.85	230.40	60.00	8.00	71.55	1061.40	1217.80	49.03
240-3	76.200	47.63	47.35	23.81	278.60	72.39	9.50	87.83	1530.90	1756.50	71.60

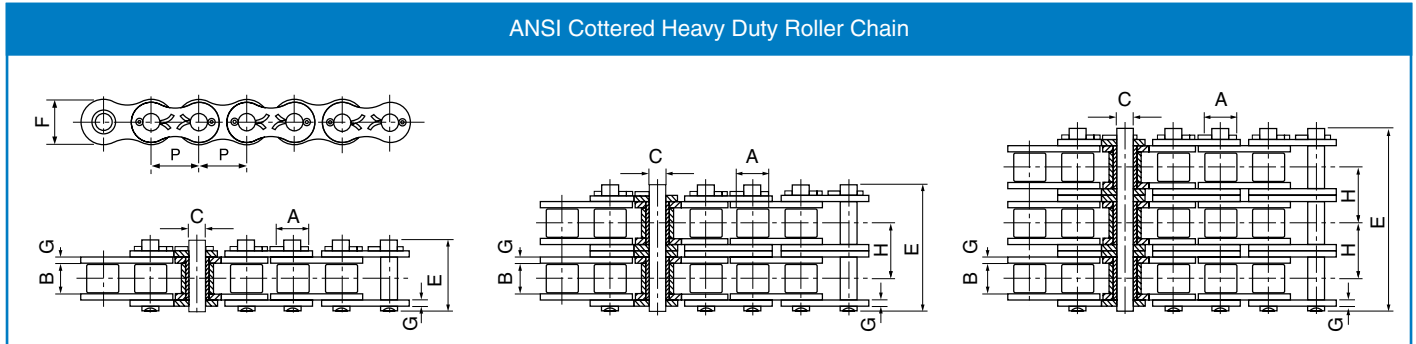
Standard boxed lengths are 5 metres
Special lengths available.

Chain Drives

Roller Chain

ANSI Cotteded Heavy Duty Roller Chain

ANSI B29.1, ISO R606, DIN 8188



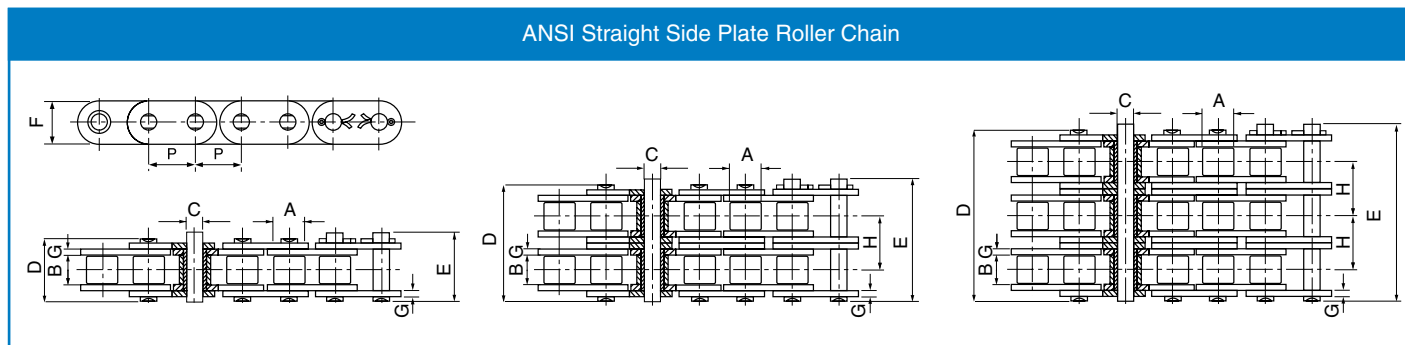
ANSI Chain number	Pitch	Roller diameter	Width between inner plates	Pin diameter	Pin length	Inner plate height	Plate thickness	Transverse pitch	Minimum tensile strength	Average tensile strength	Weight
	P	A	B	C	E	F	G	H	kN	kN	kgf/m
SIMPLEX											
50H-1	15.875	10.16	9.40	5.08	24.40	15.09	2.42	-	22.20	30.20	1.25
60H-1	19.050	11.91	12.57	5.94	31.60	18.00	3.25	-	31.80	42.70	1.87
80H-1	25.400	15.88	15.75	7.92	39.40	24.00	4.00	-	56.70	71.40	3.10
100H-1	31.750	19.05	18.90	9.53	46.90	30.00	4.80	-	88.50	112.40	4.52
120H-1	38.100	22.23	25.22	11.10	57.50	35.70	5.60	-	127.00	160.90	6.60
140H-1	44.450	25.40	25.22	12.70	62.20	41.00	6.40	-	172.40	217.30	8.30
160H-1	50.800	28.58	31.55	14.27	73.00	47.80	7.20	-	226.80	285.80	10.30
200H-1	63.500	39.68	37.85	19.85	93.50	60.00	9.50	-	353.80	444.50	19.16
DUPLEX											
60H-2	19.050	11.91	12.57	5.94	57.70	18.00	3.25	26.11	63.60	84.50	3.71
80H-2	25.400	15.88	15.75	7.92	72.00	24.00	4.00	32.59	113.40	145.30	6.15
100H-2	31.750	19.05	18.90	9.53	86.00	30.00	4.80	39.09	177.00	225.90	9.03
120H-2	38.100	22.23	25.22	11.10	106.40	35.70	5.60	48.87	254.00	322.70	13.13
140H-2	44.450	25.40	25.22	12.70	114.40	41.00	6.40	52.20	344.80	437.70	16.60
160H-2	50.800	28.58	31.55	14.27	134.90	47.80	7.20	61.90	453.60	571.60	20.20
200H-2	63.500	39.68	37.85	19.85	171.80	60.00	9.50	78.31	707.60	894.90	31.11
TRIPLEX											
60H-3	19.050	11.91	12.57	5.94	83.80	18.00	3.25	26.11	95.40	113.90	5.54
80H-3	25.400	15.88	15.75	7.92	104.60	24.00	4.00	32.59	170.10	203.50	9.42
100H-3	31.750	19.05	18.90	9.53	125.10	30.00	4.80	39.09	265.50	314.80	12.96
120H-3	38.100	22.23	25.22	11.10	155.20	35.70	5.60	48.87	381.00	444.70	19.64
140H-3	44.450	25.40	25.22	12.70	166.60	41.00	6.40	52.20	517.20	598.40	24.90
160H-3	50.800	28.58	31.55	14.27	196.80	47.80	7.20	61.90	680.40	787.30	30.10
200H-3	63.500	39.68	37.85	19.85	250.10	60.00	9.50	78.31	1061.40	1228.20	57.06

Standard boxed lengths are 5 metres
Special lengths available.

Roller Chain

ANSI Straight Side Plate Roller Chain

ANSI B29.1, ISO R606, DIN 8188



ANSI Chain number	Pitch	Roller diameter	Width between inner plates	Pin diameter	Pin length		Inner plate height	Plate thickness	Transverse pitch	Minimum tensile strength	Average tensile strength	Weight
	P	A	B	C	D	E	F	G	H	kN	kN	kgf/m
SIMPLEX												
C40-1	12.700	7.95	7.85	3.96	16.60	18.80	12.00	1.50	-	14.10	17.50	0.73
C50-1	15.875	10.16	9.40	5.08	20.70	23.30	15.09	2.03	-	22.20	29.40	1.23
C60-1	19.050	11.91	12.57	5.94	25.90	28.30	18.0/18.2	2.42	-	31.80	41.50	1.81/1.83
C80-1	25.400	15.88	15.75	7.92	32.70	36.50	24.00	3.25	-	56.70	69.40	3.09
C100-1	31.750	19.05	18.90	9.53	40.40	44.70	30.00	4.00	-	88.50	109.20	4.56
C120-1	38.100	22.23	25.22	11.10	50.30	54.30	35.70	4.80	-	127.00	156.30	6.86
C140-1	44.450	25.40	25.22	12.70	54.40	59.00	41.00	5.60	-	172.40	212.00	8.49
C160-1	50.800	28.58	31.55	14.27	64.80	69.60	47.80	6.40	-	226.80	278.90	11.50
DUPLEX												
C40-2	12.700	7.95	7.85	3.96	31.00	33.20	12.00	1.50	14.38	28.20	35.90	1.43
C50-2	15.875	10.16	9.40	5.08	38.90	41.40	15.09	2.03	18.11	44.40	58.10	2.42
C60-2	19.050	11.91	12.57	5.94	48.80	51.10	18.0/18.2	2.42	22.78	63.60	82.10	3.58/3.62
C80-2	25.400	15.88	15.75	7.92	62.70	65.80	24.00	3.25	29.29	113.40	141.80	6.12
C100-2	31.750	19.05	18.90	9.53	76.40	80.50	30.00	4.00	35.76	177.00	219.40	9.08
C120-2	38.100	22.23	25.22	11.10	95.80	99.70	35.70	4.80	45.44	254.00	314.90	13.60
C140-2	44.450	25.40	25.22	12.70	103.30	107.90	41.00	5.60	48.87	344.80	427.50	16.86
C160-2	50.800	28.58	31.55	14.27	123.30	128.10	47.80	6.40	58.55	453.60	562.40	22.90
TRIPLEX												
C40-3	12.700	7.95	7.85	3.96	45.40	47.60	12.00	1.50	14.38	42.30	50.00	2.14
C50-3	15.875	10.16	9.40	5.08	57.00	59.50	15.09	2.03	18.11	66.60	77.80	3.62
C60-3	19.050	11.91	12.57	5.94	71.50	73.90	18.0/18.2	2.42	22.78	95.40	111.10	5.36/5.41
C80-3	25.400	15.88	15.75	7.92	91.70	95.10	24.00	3.25	29.29	170.10	198.40	9.10
C100-3	31.750	19.05	18.90	9.53	112.20	116.30	30.00	4.00	35.76	265.50	309.60	13.60
C120-3	38.100	22.23	25.22	11.10	141.40	145.20	35.70	4.80	45.44	381.00	437.20	20.43
C140-3	44.450	25.40	25.22	12.70	152.20	156.80	41.00	5.60	48.87	517.20	593.30	25.23
C160-3	50.800	28.58	31.55	14.27	181.80	186.60	47.80	6.40	58.55	680.40	780.60	34.19

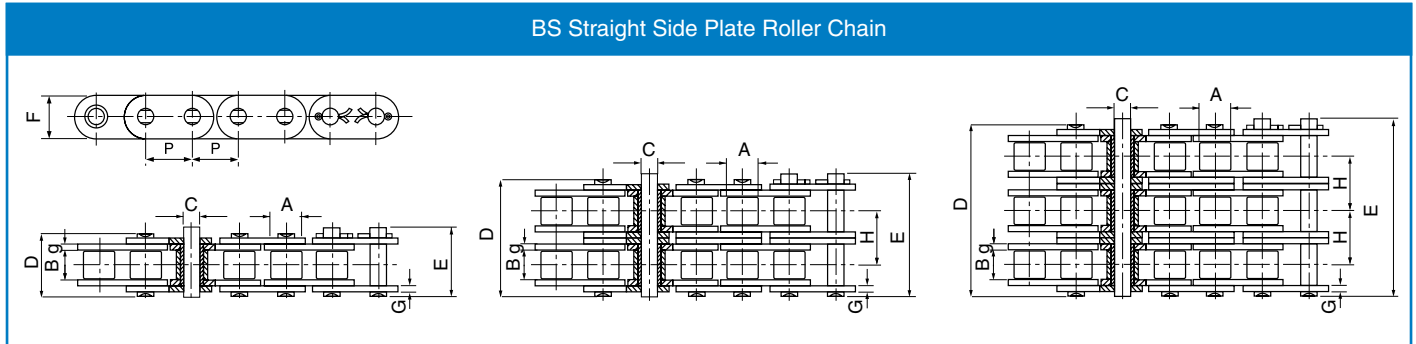
Standard boxed lengths are 5 metres
Special lengths available.

Chain Drives

Roller Chain

BS Straight Side Plate Roller Chain

ANSI B29.1, ISO R606, DIN 8187



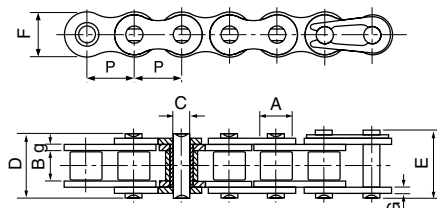
ISO Chain number	Pitch	Roller diameter	Width between inner plates	Pin diameter	Pin length		Inner plate height	Plate thickness g/G	Transverse pitch	Minimum tensile strength	Average tensile strength	Weight
	P	A	B	C	D	E						
SIMPLEX												
08B-1 GL	12.700	8.51	7.75	4.45	16.70	18.20	11.80	1.60	-	18.00	19.50	0.80
10B-1 GL	15.875	10.16	9.65	5.08	19.50	20.90	14.70	1.70	-	22.40	27.90	1.06
12B-1 GL	19.050	12.07	11.68	5.72	22.50	25.20	16.00	1.85	-	29.00	32.20	1.32
16B-1 GL	25.400	15.88	17.02	8.28	36.10	39.10	21.0/24.0	4.15/3.1	-	60.00	72.80	3.08/3.49
20B-1 GL	31.750	19.05	19.56	10.19	41.30	45.00	26.40	4.5/3.5	-	95.00	106.70	4.16
24B-1 GL	38.100	25.40	25.40	14.63	53.40	57.80	33.20	6.0/4.8	-	160.00	178.00	7.47
28B-1 GL	44.450	27.94	30.99	15.90	65.10	69.50	36.70	7.5/6.0	-	200.00	222.00	9.90
32B-1 GL	50.800	29.21	30.99	17.81	66.00	71.00	42.00	7.0/6.0	-	250.00	277.50	10.45
DUPLEX												
08B-2 GL	12.700	8.51	7.75	4.45	31.20	32.20	11.80	1.60	13.92	32.00	38.70	1.45
10B-2 GL	15.875	10.16	9.65	5.08	36.10	37.50	14.70	1.70	16.59	44.50	57.80	2.00
12B-2 GL	19.050	12.07	11.68	5.72	42.00	44.70	16.00	1.85	19.46	57.80	66.10	2.62
16B-2 GL	25.400	15.88	17.02	8.28	68.00	71.00	21.0/24.0	4.15/3.1	31.88	106.00	133.00	6.10/6.92
20B-2 GL	31.750	19.05	19.56	10.19	77.80	81.50	26.40	4.5/3.5	36.45	170.00	211.20	8.23
24B-2 GL	38.100	25.40	25.40	14.63	101.70	106.20	33.20	6.0/4.8	48.36	280.00	319.20	14.77
28B-2 GL	44.450	27.94	30.99	15.90	124.60	129.10	36.70	7.5/6.0	59.56	360.00	406.80	19.82
32B-2 GL	50.800	29.21	30.99	17.81	124.60	129.60	42.00	7.0/6.0	58.55	450.00	508.50	20.94
TRIPLEX												
08B-3 GL	12.700	8.51	7.75	4.45	45.10	46.10	11.80	1.60	13.92	47.50	57.80	2.10
10B-3 GL	15.875	10.16	9.65	5.08	52.70	54.10	14.70	1.70	16.59	66.70	84.50	2.87
12B-3 GL	19.050	12.07	11.68	5.72	61.50	64.20	16.00	1.85	19.46	86.70	101.80	3.89
16B-3 GL	25.400	15.88	17.02	8.28	99.80	102.90	21.0/24.0	4.15/3.1	31.88	160.00	203.70	9.12/10.34
20B-3 GL	31.750	19.05	19.56	10.19	114.20	117.90	26.40	4.5/3.5	36.45	250.00	290.00	11.34
24B-3 GL	38.100	25.40	25.40	14.63	150.10	154.60	33.20	6.0/4.8	48.36	425.00	493.00	22.10
28B-3 GL	44.450	27.94	30.99	15.90	184.20	188.70	36.70	7.5/6.0	59.56	530.00	609.50	29.64
32B-3 GL	50.800	29.21	30.99	17.81	183.20	188.20	42.00	7.0/6.0	58.55	670.00	770.50	31.27

Standard boxed lengths are 5 metres
Special lengths available.

Roller Chain

Special Transmission Roller Chain

Special Transmission Roller Chain



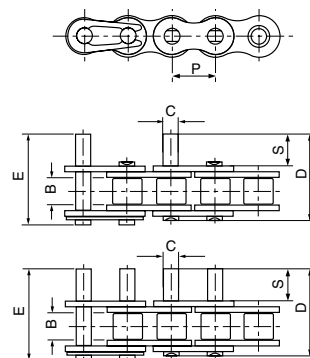
ISO Chain number	Pitch	Roller diameter	Width between inner plates		Pin length		Inner plate height F	Plate thickness g/G	Minimum tensile strength	Average tensile strength	Weight
	P	A	B	C	D	E					
04BH	6.00	4.00	2.80	1.85	8.40	9.40	5.00	0.90	5.00	5.30	0.14
081	12.70	7.75	3.30	3.66	9.30	12.30	9.90	1.00	8.00	9.40	0.28
084	12.70	7.75	4.88	4.09	14.60	17.60	11.50	1.80	15.60	15.70	0.51
415	12.70	7.77	4.76	3.60	11.00	12.40	9.70	1.00	6.86	7.60	0.32
415H	12.70	7.77	4.76	3.96	13.10	14.50	12.00	1.50	14.40	16.10	0.55
415B/083	12.70	7.75	4.88	4.09	12.90	14.40	10.30	1.30	12.00	14.20	0.44
415BF1	12.70	7.75	4.88	4.09	11.50	13.00	10.30	1.00	9.00	10.60	0.38
423	12.70	8.51	6.40	4.45	15.60	17.10	12.40	1.70	19.60	21.90	0.71
478	12.70	7.80	4.80	4.00	11.60	13.65	10.46	1.25	9.80	12.80	0.39
08BF	12.70	8.51	5.55	4.45	14.60	16.10	11.80	1.60	17.80	19.20	0.66
12BH	19.05	12.07	11.68	5.94	25.20	26.80	16.00	2.42	40.00	44.40	1.45
12BHF1	19.05	12.07	11.68	6.10	25.00	27.20	16.50	2.50	44.00	48.80	1.46
16BF1	25.40	15.88	12.20	8.28	31.40	32.70	21.00	4.15/3.1	60.00	71.40	2.60
16BF2	25.40	15.88	17.02	8.28	38.60	39.80	21.00	4.15	60.00	71.40	3.08
16BF5	25.40	15.88	12.70	8.28	30.80	32.10	20.00	3.5/3.0	50.00	57.50	2.37
16BH	25.40	15.88	17.02	8.90	35.70	38.90	24.10	4.0/3.1	80.00	94.20	3.11
24BH	38.10	25.40	25.40	14.63	58.60	63.40	36.20	7.5/6.0	225.00	250.30	9.00

Standard boxed lengths are 5 metres
Special lengths available.

Extended Pin Chain

ISO Chain No.	ANSI Chain No.	P	B	C	S	D	E
	35	9.525	4.77	3.58	9.50	20.80	21.60
	40	12.700	7.85	3.96	9.50	25.10	26.20
	50	15.875	9.40	5.08	11.90	31.30	33.10
	60	19.050	12.57	5.94	14.30	38.60	40.60
	80	25.400	15.75	7.92	19.10	50.30	53.30
	100	31.750	18.90	9.53	23.80	61.80	66.10
	120	38.100	25.22	11.10	28.60	76.40	80.40
	140	44.450	25.22	12.70	33.30	84.80	89.40
	160	50.800	31.55	14.27	38.10	99.60	104.40
08B		12.700	7.75	4.45	9.50	25.10	26.60
10B		15.875	9.65	5.08	11.90	30.10	31.50
12B		19.050	11.68	5.72	14.30	35.40	37.10
16B		25.400	17.02	8.28	19.10	53.00	54.30

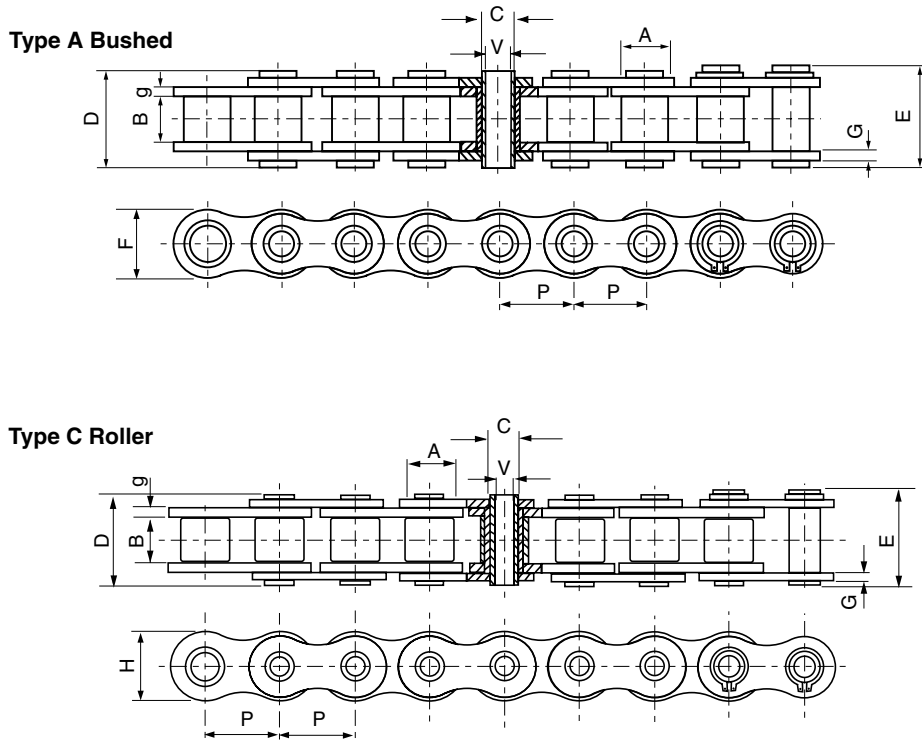
D-1 & D-3 Pins



Roller Chain

Hollow Pin Chain

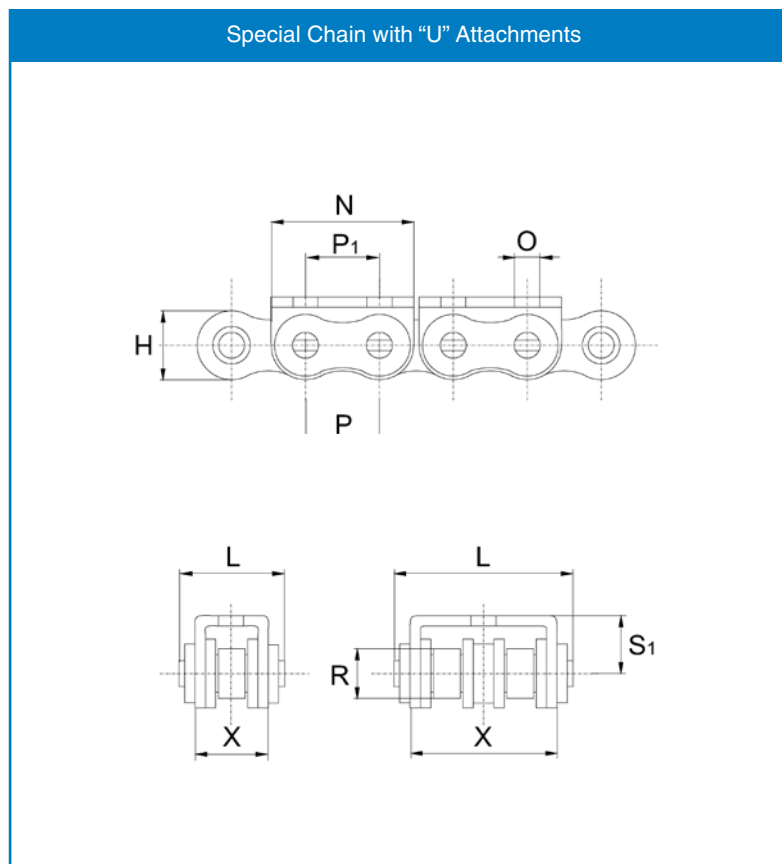
Hollow Pin Chain



Chain number	Pitch	Roller diameter	Width between inner plates	Pin diameter		Pin length		Inner plate height	Plate thickness	Minimum tensile strength	Average tensile strength	Weight	Type form
	P	A	B	C	V	D	E	F	g/G	kN	kN	kgf/m	
08BHP	12.700	8.51	7.75	6.55	4.50	16.4	17.6	11.80	1.6/1.3	11.10	12.1	0.56	A
10BHP	15.875	10.16	9.65	5.94	4.04	19.3	20.6	14.70	1.70	17.00	20.8	0.86	C
12BHP	19.050	12.07	11.68	6.50	4.00	21.6	22.8	15.90	1.85	23.60	25.9	1.09	C
40HP	12.700	7.95	7.85	5.63	4.00	16.5	17.6	12.00	1.50	11.00	12.2	0.54	A
50HP	15.875	10.16	9.40	7.03	5.13	20.7	21.9	15.09	2.03	20.00	22.6	0.91	A
60HP	19.050	11.91	12.70	8.31	6.00	25.8	26.8	18.00	2.42	24.00	26.9	1.29	A
60HPF1	19.050	11.91	12.70	8.31	5.01	25.5	26.8	18.00	2.42	28.00	30.9	1.37	A
60HB	19.050	11.91	12.70	7.00	5.01	25.5	26.6	18.00	2.42	20.00	22.4	1.35	C
80HP	25.400	15.88	15.75	11.40	8.05	32.5	33.8	24.00	3.25	50.00	58.3	2.26	A

Roller Chain

Special Chain with “U” Attachments



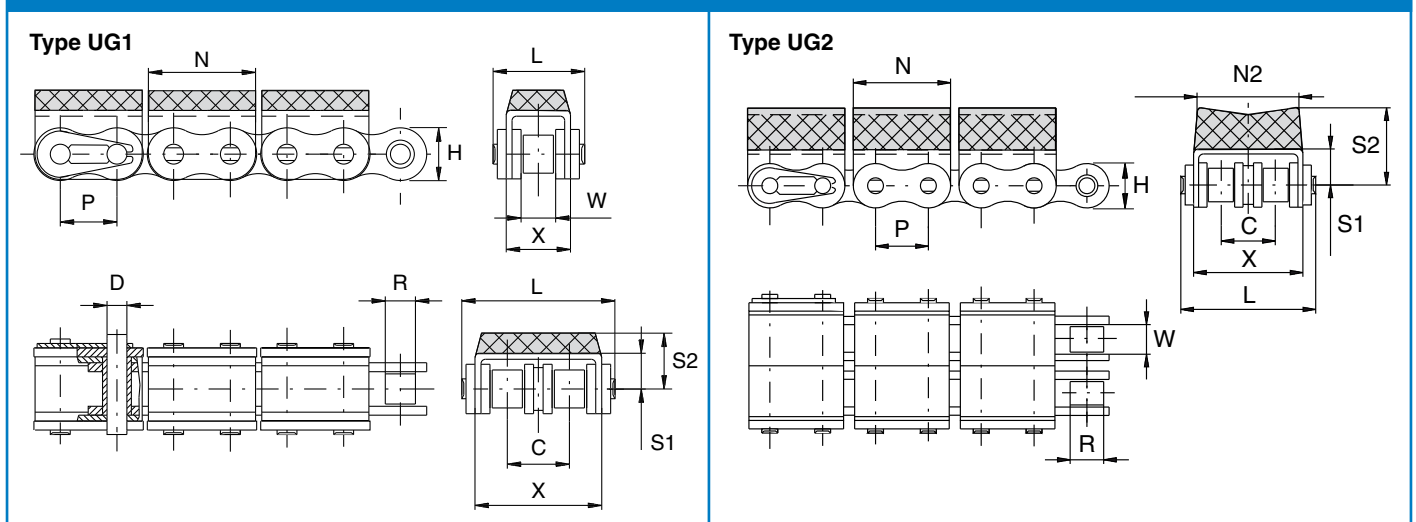
Model	Dimensions	Pitch	Working	Roller	Pin	Height of	Pin						Tensile strength
	P x W		dimensions	dia.	dia.	plate links	length	O	P ₁	X	N	S ₁	
	inch	P	W min	R max	D max	H max	L max						
08 B/U1	1/2" x 5/16"	12.700	7.75	8.51	4.45	10.8	19.6	-	-	14.7	24.0	8.8	14.6
08 B/U2	1/2" x 5/16"	12.700	7.75	8.51	4.45	10.8	19.6	5	-	14.7	24.0	8.8	14.6
08 B/U3	1/2" x 5/16"	12.700	7.75	8.51	4.45	10.8	19.6	5	12.7	14.7	24.0	8.8	14.6
10 B/U1	5/8" x 3/8"	15.875	9.65	10.16	5.08	13.0	22.3	-	-	16.7	30.0	11.3	18.2
10 B/U2	5/8" x 3/8"	15.875	9.65	10.16	5.08	13.0	22.3	5	-	16.7	30.0	11.3	18.2
10 B/U3	5/8" x 3/8"	15.875	9.65	10.16	5.08	13.0	22.3	5	15.8	16.7	30.0	11.3	18.2
08B-2/U1	1/2" x 5/16"	12.700	7.75	8.51	4.45	10.8	34.0	-	-	28.3	24.2	8.3	28.6
08B-2/U2	1/2" x 5/16"	12.700	7.75	8.51	4.45	10.8	34.0	4	12.7	28.3	24.2	8.3	28.6
10B-2/U1	5/8" x 3/8"	15.875	9.65	10.16	5.08	13.0	39.0	5	15.8	33.3	30.0	11.3	36.3

Chain Drives

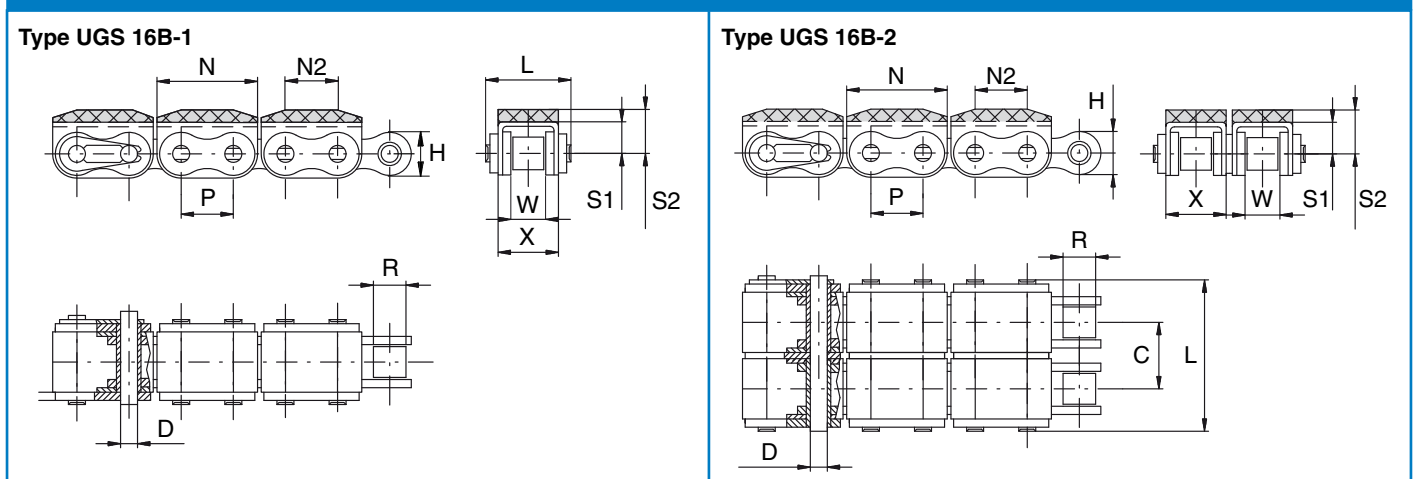
Roller Chain

Special Chain with "U" Attachments and Rubber Elements

Special Chain with "U" Attachments and Rubber Elements - Model UG1/UG2



Special Chain with "U" Attachments and Rubber Elements - Model UGS

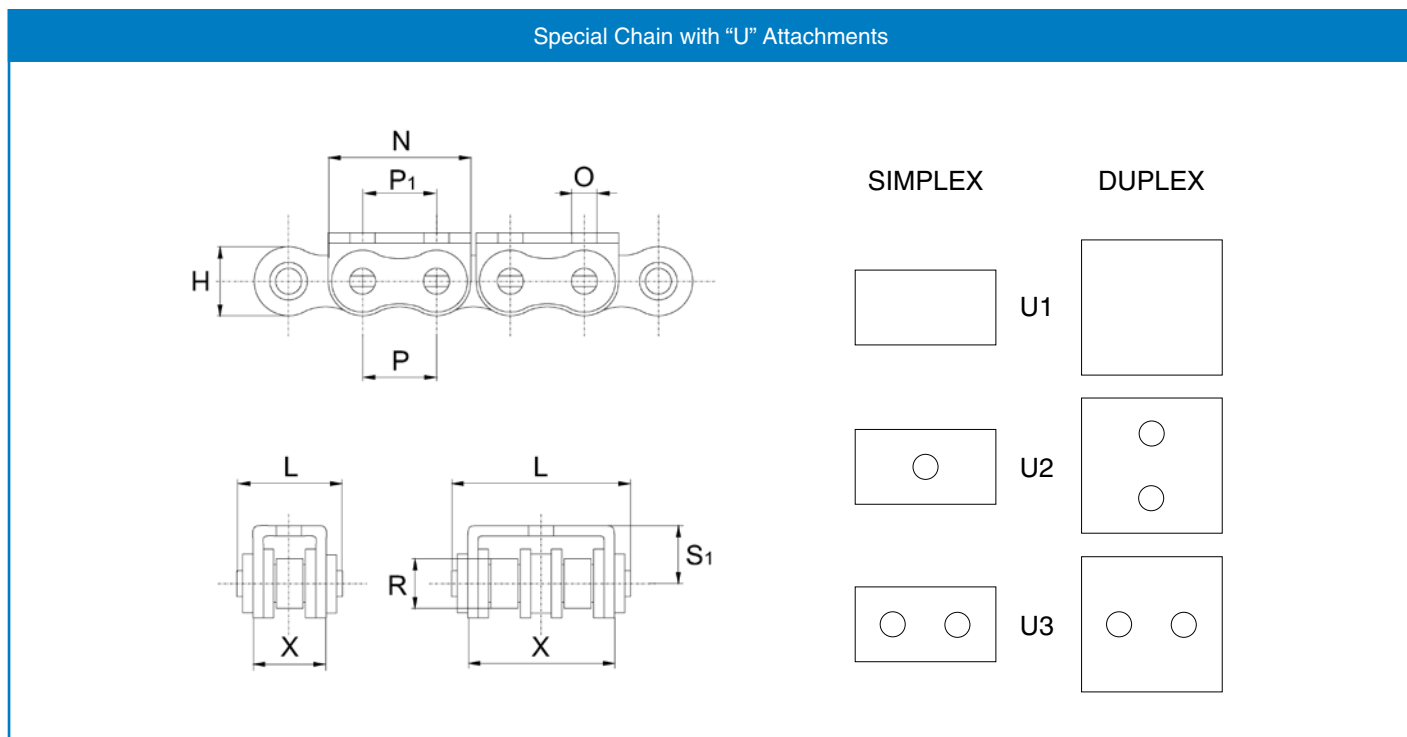


Roller Chain Model	Pitch	Working dim.	Roller dia.	Pin dia.	Height of plate links	Pin length	"U" profile	"U" profile	"U" profile	"U" Profile height	"U" Profile height	Transverse pitch	Min. Tensile strength
	P	W	R	D	H	L	X	N	N2	S1	S2	C	kN
08B-1/UG1	12.700	7.75	8.51	4.45	11.80	20.40	14.4	24	10.0	8.50	13.00	-	14.60
08B-2/UG1	12.700	7.75	8.51	4.45	11.80	34.40	28.4	24	20.0	8.10	12.50	13.92	28.60
10B-1/UG1	15.875	9.65	10.16	5.08	14.70	22.80	16.4	30	13.5	10.60	17.00	-	18.20
10B-2/UG1	15.875	9.65	10.16	5.08	14.70	39.00	33.3	30	30.0	10.60	15.50	16.59	36.30
12B-1/UG1	19.050	11.68	12.07	5.72	16.00	26.50	19.4	35	12.0	13.00	21.00	-	23.60
12B-2/UG1	19.050	11.68	12.07	5.72	16.00	46.50	39.4	35	36.0	12.00	20.00	19.46	46.60
16B-1/UG1	25.400	17.02	15.88	8.28	21.00	39.20	29.4	49	22.0	15.40	21.40	-	58.00
16B-2/UG1	25.400	17.02	15.88	8.28	21.00	73.00	29.4	49	22.0	15.40	21.40	31.88	98.00
12B-1/UG2	19.050	11.68	12.07	5.72	16.00	26.50	19.4	35	13.5	13.00	21.00	-	23.60
12B-2/UG2	19.050	11.68	12.07	5.72	16.00	46.50	39.4	35	36.0	12.00	28.00	19.46	46.60
16B-1/UGS	25.400	17.02	15.88	8.28	21.00	39.20	29.4	49	25.4	15.40	21.40	-	58.00
16B-2/UGS	25.400	17.02	15.88	8.28	21.00	73.00	29.4	49	25.4	15.40	21.40	31.88	98.00

All dimensions in millimetres unless otherwise stated. Every effort has been taken to ensure that the data listed in this catalogue is correct.

Roller Chain

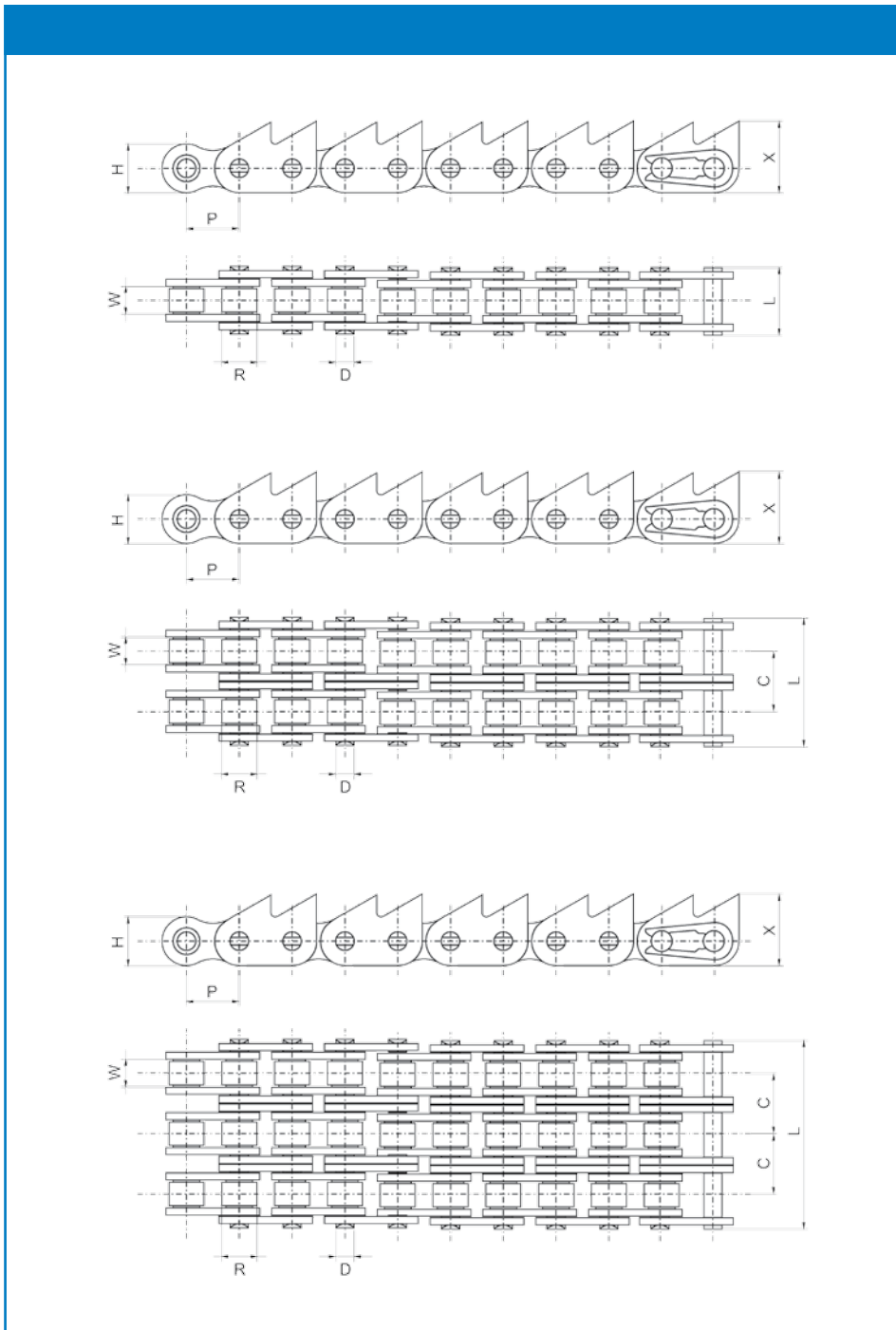
Special Chain with "U" Attachments



Model	Dimensions	Pitch	Working dimensions	Roller dia.	Pin dia.	Height of plate links	Pin length						Tensile strength			
	P x W							P	W min	R max	D max	H max		L max	O	P ₁
	inch															
08B-1/U1	1/2" x 5/16"	12.700	7.75	8.51	4.45	11.8	20.4	-	-	14.4	24.0	8.5	14.60			
08B-1/U2	1/2" x 5/16"	12.700	7.75	8.51	4.45	11.8	20.4	5	-	14.4	24.0	8.5	14.60			
08B-1/U3	1/2" x 5/16"	12.700	7.75	8.51	4.45	11.8	20.4	5	12.7	14.4	24.0	8.5	14.60			
08B-2/U1	1/2" x 5/16"	12.700	7.75	8.51	4.45	11.8	34.4	-	-	28.4	24.0	8.1	28.60			
08B-2/U2	1/2" x 5/16"	12.700	7.75	8.51	4.45	11.8	34.4	4	14.0	28.4	24.0	8.1	28.60			
08B-2/U3	1/2" x 5/16"	12.700	7.75	8.51	4.45	11.8	34.4	4	12.7	28.4	24.0	8.1	28.60			
10B-1/U1	5/8" x 3/8"	15.875	9.65	10.16	5.08	14.7	22.8	-	-	16.4	30.0	10.6	18.20			
10B-1/U2	5/8" x 3/8"	15.875	9.65	10.16	5.08	14.7	22.8	5	-	16.4	30.0	10.6	18.20			
10B-1/U3	5/8" x 3/8"	15.875	9.65	10.16	5.08	14.7	22.8	5	15.8	16.4	30.0	10.6	18.20			
10B-2/U1	5/8" x 3/8"	15.875	9.65	10.16	5.08	14.7	39.0	-	-	33.3	30.0	10.6	36.30			
10B-2/U2	5/8" x 3/8"	15.875	9.65	10.16	5.08	14.7	39.0	5	16.6	33.3	30.0	10.6	36.30			
10B-2/U3	5/8" x 3/8"	15.875	9.65	10.16	5.08	14.7	39.0	5	15.8	33.3	30.0	10.6	36.30			
12B-1/U1	3/4" x 7/16"	19.050	11.68	12.07	5.72	16.0	26.5	-	-	19.4	35.0	13.0	23.60			
12B-1/U2	3/4" x 7/16"	19.050	11.68	12.07	5.72	16.0	26.5	5	-	19.4	35.0	13.0	23.60			
12B-1/U3	3/4" x 7/16"	19.050	11.68	12.07	5.72	16.0	26.5	5	19.0	19.4	35.0	13.0	23.60			
12B-2/U1	3/4" x 7/16"	19.050	11.68	12.07	5.72	16.0	46.5	-	-	39.4	35.0	12.0	46.60			
12B-2/U2	3/4" x 7/16"	19.050	11.68	12.07	5.72	16.0	46.5	5	19.5	39.4	35.0	12.0	46.60			
12B-2/U3	3/4" x 7/16"	19.050	11.68	12.07	5.72	16.0	46.5	5	19.0	39.4	35.0	12.0	46.60			
16B-1/U1	1" x 17.02mm	25.400	17.02	15.88	8.28	21.0	39.2	-	-	29.4	49.0	15.4	58.00			
16B-1/U2	1" x 17.02mm	25.400	17.02	15.88	8.28	21.0	39.2	5	-	29.4	49.0	15.4	58.00			
16B-1/U3	1" x 17.02mm	25.400	17.02	15.88	8.28	21.0	39.2	5	25.4	29.4	49.0	15.4	58.00			
16B-2/U1	1" x 17.02mm	25.400	17.02	15.88	8.28	21.0	73.0	-	-	29.4	49.0	15.4	98.00			
16B-2/U2	1" x 17.02mm	25.400	17.02	15.88	8.28	21.0	73.0	5	-	29.4	49.0	15.4	98.00			
16B-2/U3	1" x 17.02mm	25.400	17.02	15.88	8.28	21.0	73.0	5	25.4	29.4	49.0	15.4	98.00			

Roller Chain

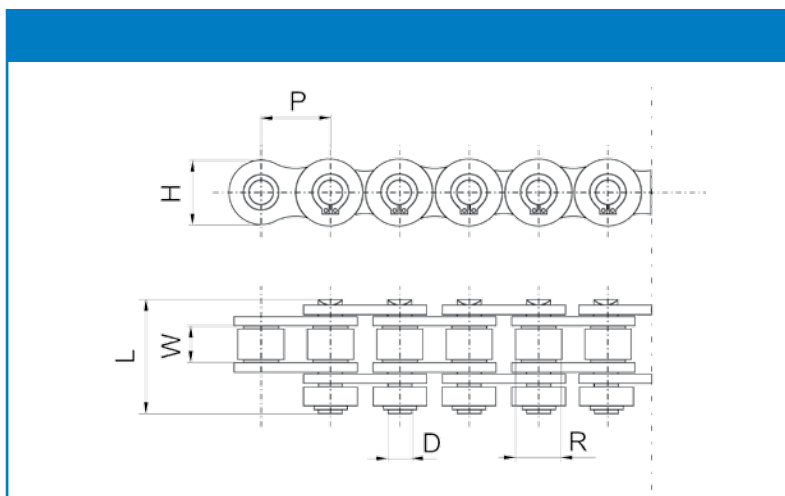
Special Chain



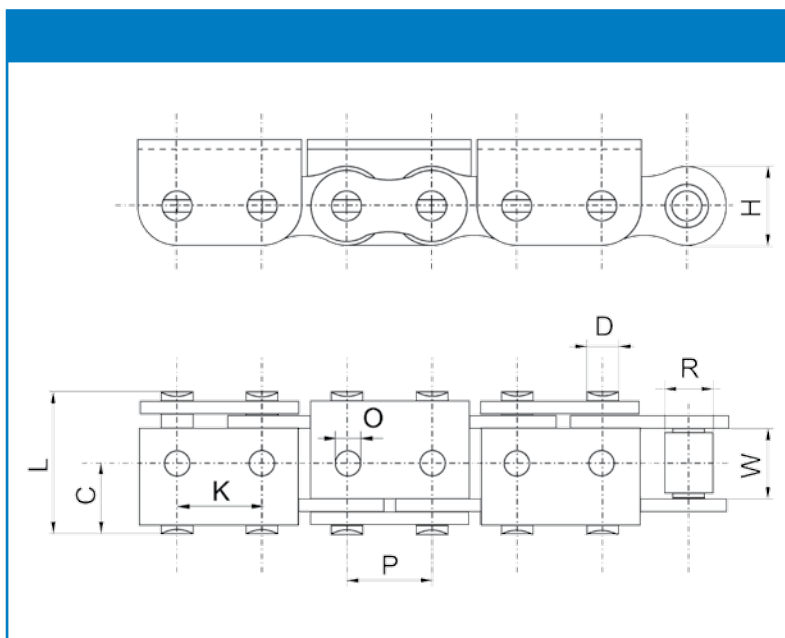
Model	Pitch P		Working dimensions W min	Roller dia. R1 max	Pin dia. D max	Pin length L max	Height of plate links		Axis spacing C	Tooth height X	Tensile strength kN
	mm	inch					H max	H max			
16B-1Z	25.4	1"	17.02	15.88	8.28	36.1	21.0	-	28	58	
16B-2Z	25.4	1"	17.02	15.88	8.28	68.0	21.0	31.88	28	110	
16B-3Z	25.4	1"	17.02	15.88	8.28	99.9	21.0	31.88	28	165	

Roller Chain

Special Chain



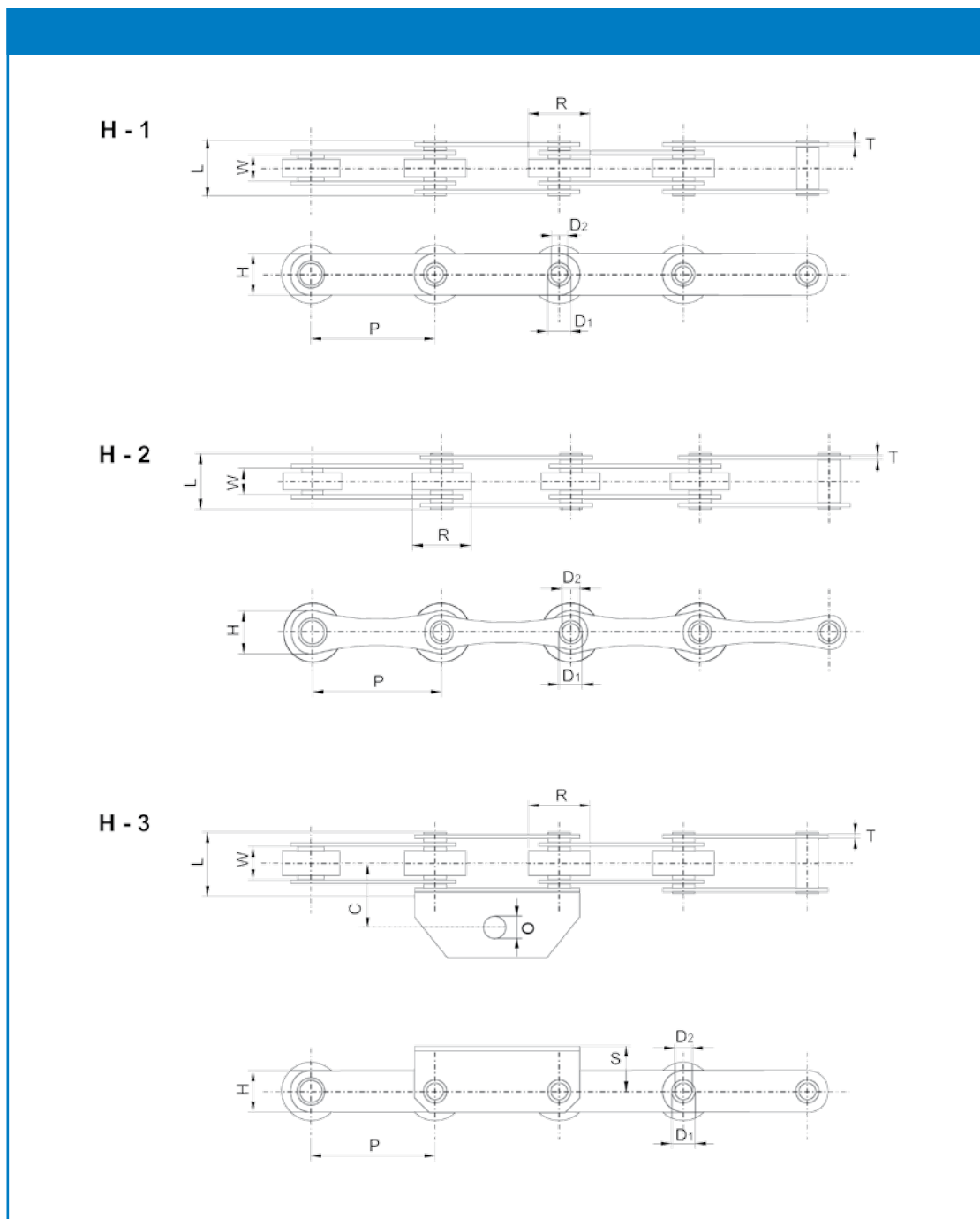
Model	Pitch P		Working dimensions W min	Roller dia.		Pin dia. D max	Pin length L max	Axis spacing C	Tensile strength kN
	mm	inch		R1 max	R2 max				
10B-1/R	15.875	5/8"	9.65	10.16	5.08	25.4	14.2	15.1	22.7



Model	Pitch P		Working dimensions W min	Roller dia. R1 max	Pin dia. D max	Pin length L max	Height of plate links H max	O	K	C	Tensile strength kN
	mm	inch									
16B-1/P	25.4	1"	17.02	15.88	8.28	36.1	21.0	6.5	25.4	15.9	58

Roller Chain

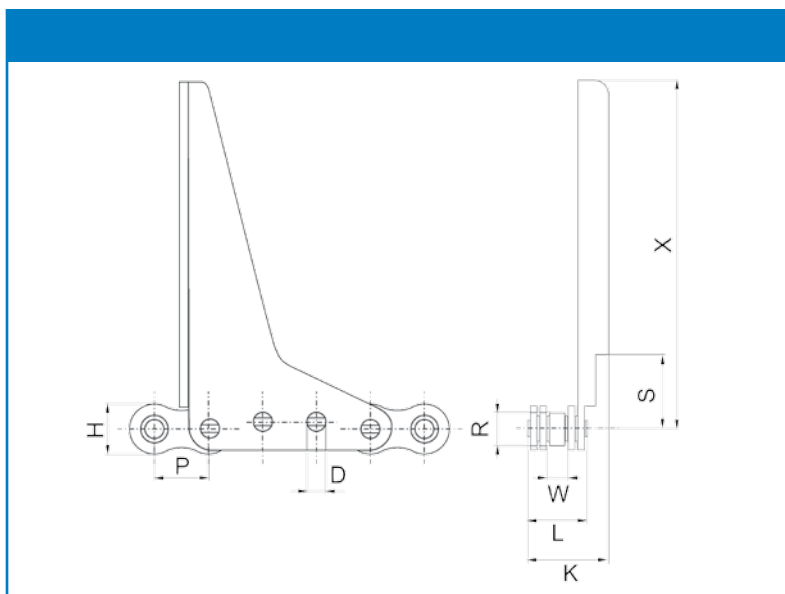
Special Chain



Model	Working dimensions	Pitch	Pin dia.		Roller dia.	Pin length	Height of plate links					Tensile strength	Weight
	W min	P	D1	D2	R max	L max	H max	S	T	C	O	kN	kgf/m
H1	15	50.0	13.20	10.20	32	32	25	-	2.8	-	-	30	2.5
H2	10	50.8	11.50	8.30	30	26	21	-	3.0	-	-	30	2.3
H3	15	50.0	13.20	10.20	31	32	25	24	2.8	22	8.4	30	4.5

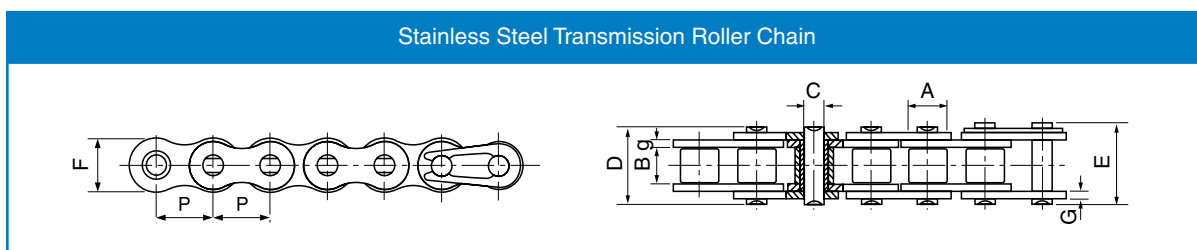
Roller Chain

Special Chain with Driver



Model	Dimensions P x W inch	Pitch P	Working dimensions W min	Roller dia. R max	Pin dia. D max	Width of plate links H max	L	K max	X	S	Tensile strength kN
08 X3/Z1	1/2" x 3/16"	12.70	4.88	7.75	4.09	9.90	13.0	16.0	85.0	17.5	82.6

Stainless Steel Transmission Roller Chain (Grade 304)



ISO Chain number	ANSI Chain number	Pitch	Roller diameter	Width between inner plates	Pin diameter	Pin length		Inner plate height F	Plate thick- ness g/G	Minimum tensile strength	Average tensile strength	Weight kg/m
		P	A	B	C	D	E			kN	kN	
	*35SS	9.525	5.08	4.77	3.58	12.40	13.17	9.00	1.30	5.50	6.60	0.33
	40SS	12.700	7.95	7.85	3.96	16.60	17.80	12.00	1.50	9.60	10.80	0.63
	50SS	15.875	10.16	9.40	5.08	20.70	22.20	15.09	2.03	15.20	17.20	1.03
	60SS	19.050	11.91	12.57	5.94	25.90	27.70	18.00	2.42	21.70	26.40	1.51
	80SS	25.400	15.88	15.75	7.92	32.70	35.00	24.00	3.25	38.90	46.60	2.62
	100SS	31.750	19.05	18.90	9.53	40.40	44.70	30.00	4.00	60.00	70.20	3.94
04BSS		6.000	4.00	2.80	1.85	6.80	7.80	5.00	0.60	2.00	2.40	0.11
05BSS		8.000	5.00	3.00	2.31	8.20	8.90	7.10	0.80	3.50	4.10	0.20
#06BSS		9.525	6.35	5.72	3.28	13.15	14.10	8.20	1.30	6.20	6.80	0.41
08BSS		12.700	8.51	7.75	4.45	16.70	18.20	11.80	1.60	12.00	14.30	0.70
10BSS		15.875	10.16	9.65	5.08	19.50	20.90	14.70	1.70	14.50	17.20	0.94
12BSS		19.050	12.07	11.68	5.72	22.50	24.20	16.00	1.85	18.50	20.90	1.16
16BSS		25.400	15.88	17.02	8.28	36.10	37.40	21.00	4.15/3.1	40.00	47.60	2.73
20BSS		31.750	19.05	19.56	10.19	41.30	45.00	26.40	4.5/3.5	59.00	69.60	3.73

* Bush chain: **A** in the table indicates the external diameter of the bush

Straight side plate chain

Standard boxed lengths are 5 metres

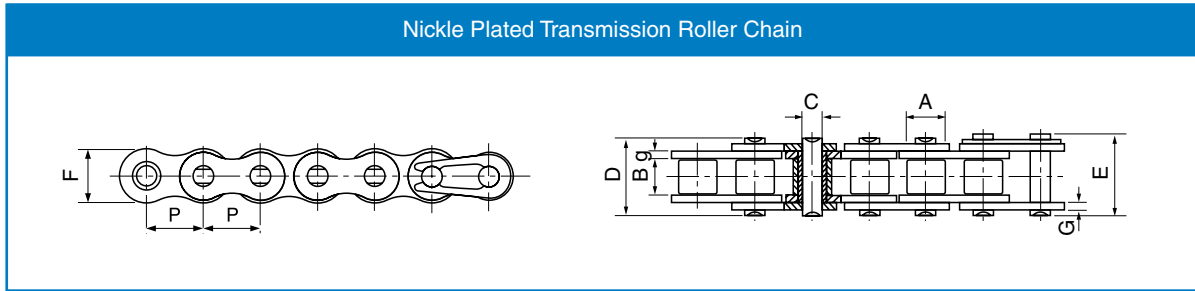
Special lengths available.

Every effort has been taken to ensure that the data listed in this catalogue is correct.

Chain Drives

Roller Chain

Nickle Plated Transmission Roller Chain



ISO Chain number	ANSI Chain number	Pitch P	Width between inner plates			Pin length		Inner plate height F	Plate thickness g/G	Minimum tensile strength kN	Average tensile strength kN	Weight kgf/m
			Roller diameter A	B	Pin diameter C	D	E					
	*25NP	6.350	3.30	3.18	2.31	7.90	8.40	6.00	0.80	3.50	4.60	0.15
	*35NP	9.525	5.08	4.77	3.58	12.40	13.17	9.00	1.30	7.90	10.80	0.33
	41NP	12.700	7.77	6.25	3.58	13.75	15.00	9.91	1.30	6.67	12.60	0.41
	40NP	12.700	7.95	7.85	3.96	16.60	17.80	12.00	1.50	14.10	17.50	0.62
	50NP	15.875	10.16	9.40	5.08	20.70	22.20	15.09	2.03	22.20	29.40	1.02
	60NP	19.050	11.91	12.57	5.94	25.90	27.70	18.00	2.42	31.80	41.50	1.50
	80NP	25.400	15.88	15.75	7.92	32.70	35.00	24.00	3.25	56.70	69.40	2.60
	100NP	31.750	19.05	18.90	9.53	40.40	44.70	30.00	4.00	88.50	109.20	3.91
04BNP		6.000	4.00	2.80	1.85	6.80	7.80	5.00	0.60	3.00	3.20	0.11
05BNP		8.000	5.00	3.00	2.31	8.20	8.90	7.10	0.80	5.00	5.90	0.20
#06BNP		9.525	6.35	5.72	3.28	13.15	14.10	8.20	1.30	9.00	10.40	0.41
08BNP		12.700	8.51	7.75	4.45	16.70	18.20	11.80	1.60	18.00	19.40	0.69
10BNP		15.875	10.16	9.65	5.08	19.50	20.90	14.70	1.70	22.40	27.50	0.93
12BNP		19.050	12.07	11.68	5.72	22.50	24.20	16.00	1.85	29.00	32.20	1.15
16BNP		25.400	15.88	17.02	8.28	36.10	37.40	21.00	4.15/3.1	60.00	72.80	2.71
20BNP		31.750	19.05	19.56	10.19	41.30	45.00	26.40	4.5/3.5	95.00	106.70	3.70

Zinc Plated Transmission Roller Chain

ISO Chain number	ANSI Chain number	Pitch P	Width between inner plates			Pin length		Inner plate height F	Plate thickness g/G	Minimum tensile strength kN	Average tensile strength kN	Weight kgf/m
			Roller diameter A	B	Pin diameter C	D	E					
	*25ZP	6.350	3.30	3.18	2.31	7.90	8.40	6.00	0.80	3.50	4.60	0.14
	*35ZP	9.525	5.08	4.77	3.58	12.40	13.17	9.00	1.30	7.90	10.80	0.33
	41ZP	12.700	7.77	6.25	3.58	13.75	15.00	9.91	1.30	6.67	12.60	0.41
	40ZP	12.700	7.95	7.85	3.96	16.60	17.80	12.00	1.50	14.10	17.50	0.62
	50ZP	15.875	10.16	9.40	5.08	20.70	22.20	15.09	2.03	22.20	29.40	1.02
	60ZP	19.050	11.91	12.57	5.94	25.90	27.70	18.00	2.42	31.80	41.50	1.50
	80ZP	25.400	15.88	15.75	7.92	32.70	35.00	24.00	3.25	56.70	69.40	2.60
	100ZP	31.750	19.05	18.90	9.53	40.40	44.70	30.00	4.00	88.50	109.20	3.91
04BZP		6.000	4.00	2.80	1.85	6.80	7.80	5.00	0.60	3.00	3.20	0.11
05BZP		8.000	5.00	3.00	2.31	8.20	8.90	7.10	0.80	5.00	5.90	0.20
#06BZP		9.525	6.35	5.72	3.28	13.15	14.10	8.20	1.30	9.00	10.40	0.41
08BZP		12.700	8.51	7.75	4.45	16.70	18.20	11.80	1.60	18.00	19.40	0.69
10BZP		15.875	10.16	9.65	5.08	19.50	20.90	14.70	1.70	22.40	27.50	0.93
12BZP		19.050	12.07	11.68	5.72	22.50	24.20	16.00	1.85	29.00	32.20	1.15
16BZP		25.400	15.88	17.02	8.28	36.10	37.40	21.00	4.15/3.1	60.00	72.80	2.71
20BZP		31.750	19.05	19.56	10.19	41.30	45.00	26.40	4.5/3.5	95.00	106.70	3.70

* Bush chain: A in the table indicates the external diameter of the bush

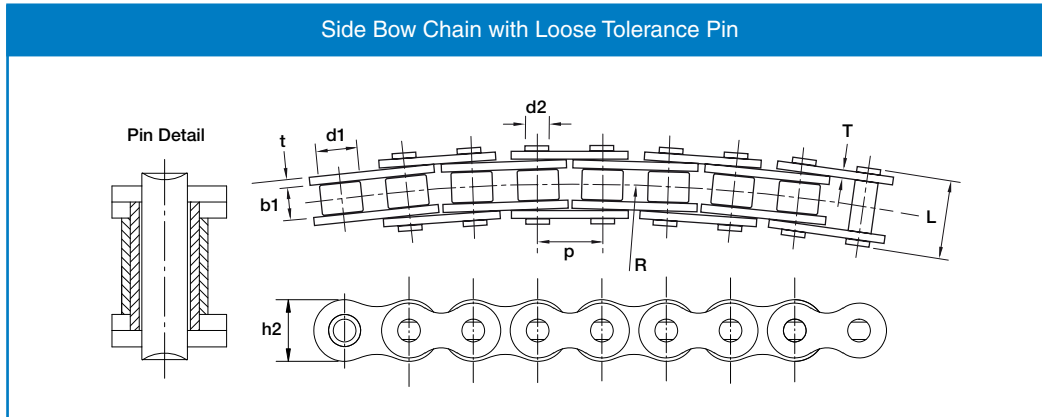
Straight side plate chain

Standard boxed lengths are 5 metres

Special lengths available.

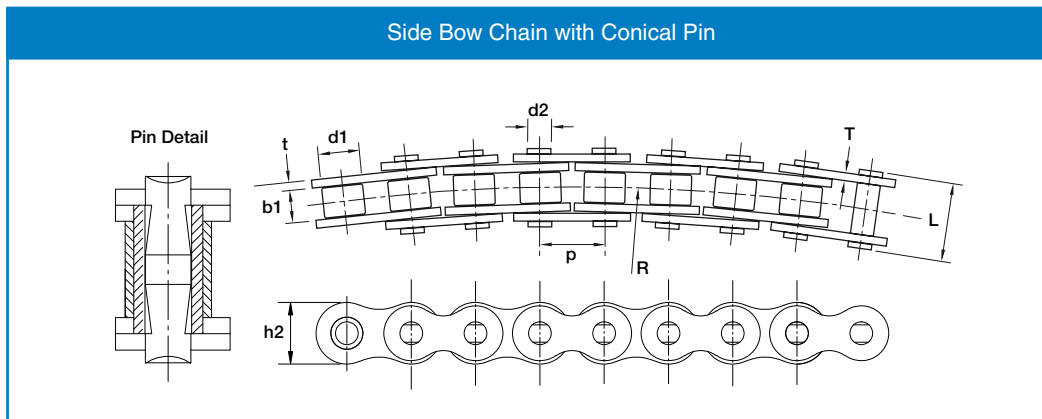
Roller Chain

Side Bow Chain with Loose Tolerance Pin



Chain number	p	d1	b1	d2	L	h2	t/T	Side bow radius R	Average tensile strength kgf	Weight per metre kgf/m
40SB	12.700	7.95	7.85	3.45	16.9	11.7	1.50	350	15.2	0.80
50SB	15.875	10.16	9.40	4.37	20.7	14.9	2.03	400	22.7	1.09
60SB	19.050	11.91	12.57	5.34	26.6	18.0	2.42	500	17.3	1.54
63SB	19.050	11.91	12.68	5.08	28.8	17.2	2.42 - 2.03	350	20.0	1.40
80SB	25.400	15.88	15.75	7.19	34.0	24.0	3.25	711	42.0	2.60
08BSB	12.700	8.51	7.75	3.97	17.4	11.8	1.50	400	15.4	0.70
08BSBF1	12.700	8.51	7.75	3.97	16.3	11.8	1.60 - 1.20	400	14.1	0.65
10BSB	15.875	10.16	9.65	4.50	20.1	14.7	1.70	400	17.2	0.93
12BSB	19.050	12.07	11.68	5.12	23.1	16.0	1.85	500	22.6	1.16
16BSB	25.400	15.88	17.22	7.90	36.5	21.0	3.70 - 3.00	500	64.0	2.53

Side Bow Chain with Conical Pin



Chain number	p	d1	b1	d2	L	h2	t/T	R	Average tensile strength kgf	Weight per metre kgf/m
40SB	12.700	7.95	7.85	3.98	16.9	11.7	1.50	350	15.2	0.80
50SB	15.875	10.16	9.40	5.08	20.7	14.9	2.03	400	22.7	1.09
60SB	19.050	11.91	12.57	5.94	26.6	18.0	2.42	500	17.3	1.54
80SB	25.400	15.88	15.75	7.92	34.0	24.0	3.25	711	42.0	2.60
08BSB	12.700	8.51	7.75	4.45	17.4	11.8	1.50	400	15.4	0.70
08BSBF1	12.700	8.51	7.75	4.45	16.3	11.8	1.60 - 1.20	400	14.1	0.65
10BSB	15.875	10.16	9.65	5.08	20.1	14.7	1.70	400	17.2	0.93
12BSB	19.050	12.07	11.68	5.72	23.1	16.0	1.85	500	22.6	1.16
16BSB	25.400	15.88	17.22	8.28	36.5	21.0	3.70 - 3.00	500	64.0	2.53
C2050SB	31.750	10.16	9.40	5.08	21.3	15.0	2.03	800	24.1	0.84

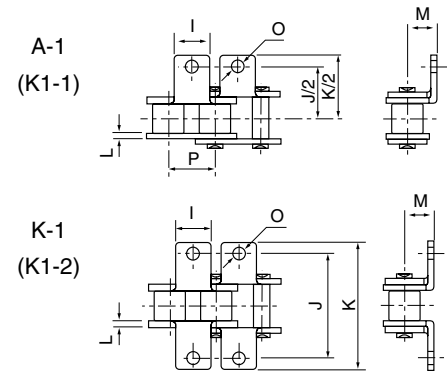
Chain Drives

Roller Chain Attachments

A-1 & K-1 Attachments (K1-1 & K1-2)

ISO No.	ANSI No.	P	I	J	K	L	M	O
	40	12.700	9.50	25.40	35.20	1.50	7.90	3.40
	50	15.875	12.70	31.75	46.20	2.03	10.30	5.50
	60	19.050	15.90	38.10	55.60	2.42	11.90	5.50
	80	25.400	19.10	50.80	64.80	3.25	15.90	6.80
	100	31.750	25.40	63.50	87.30	4.00	19.80	9.20
	120	38.100	28.60	76.20	108.50	4.80	23.00	9.80
	140	44.450	34.90	88.90	123.00	5.60	28.60	11.40
	160	50.800	38.10	101.60	142.80	6.40	31.80	13.10
*06B		9.525	8.00	19.04	27.00	1.30	6.50	3.50
08B		12.700	9.50	25.40	36.40	1.60	8.90	4.50
10B		15.875	14.30	31.75	44.60	1.70	10.31	5.30
12B		19.050	16.00	38.10	52.40	1.85	13.46	6.40
16B		25.400	19.10	50.80	72.60	3.10	15.88	6.40

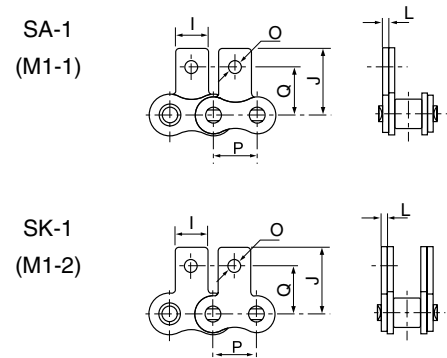
A1 & K1 Attachments



SA-1 & SK-1 Attachments (M1-1 & M1-2)

ISO No.	ANSI No.	P	I	J	Q	L	O
	40	12.700	9.50	19.05	12.70	1.50	3.40
	50	15.875	12.70	25.25	15.90	2.03	5.50
	60	19.050	15.90	29.33	18.30	2.42	5.50
	80	25.400	19.10	34.70	24.60	3.25	6.80
	100	31.750	25.40	43.30	31.80	4.00	9.20
	120	38.100	28.60	51.60	36.50	4.80	9.80
	140	44.450	34.90	62.00	44.50	5.60	11.40
	160	50.800	38.10	69.85	50.80	6.40	13.10
*06B		9.525	8.00	13.50	9.52	1.30	3.50
08B		12.700	9.50	18.90	13.35	1.60	4.30
10B		15.875	14.30	22.95	16.50	1.70	5.30
12B		19.050	16.00	28.60	21.45	1.85	6.40
16B		25.400	19.10	34.00	23.15	3.10	6.40

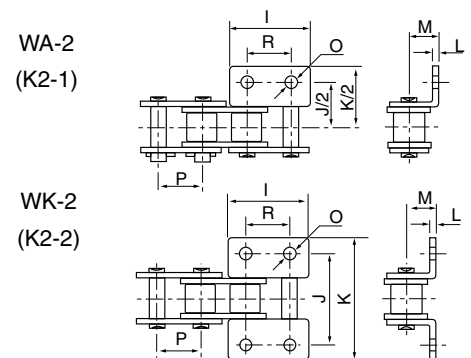
SA-1 & SK-1 Attachments



WA-2 & WK-2 Attachments (K2-1 & K2-2)

ISO No.	ANSI No.	P	I	R	J	K	L	M	O
	40	12.700	23.00	12.70	25.40	35.60	1.50	7.90	3.40
	50	15.875	28.80	15.88	31.80	46.80	2.03	10.30	5.50
	60	19.050	34.65	19.05	38.10	56.40	2.42	11.90	5.50
	80	25.400	45.90	25.40	50.80	73.20	3.25	15.90	6.80
	100	31.750	57.65	31.75	63.50	89.80	4.00	19.80	9.20
08B		12.700	24.00	12.70	25.40	36.40	1.60	8.90	4.30
10B		15.875	29.58	15.88	31.80	44.60	1.70	10.31	5.30
12B		19.050	34.05	19.05	38.10	52.40	1.85	13.46	6.40
16B		25.400	46.40	25.40	50.80	72.60	3.10	15.88	6.40

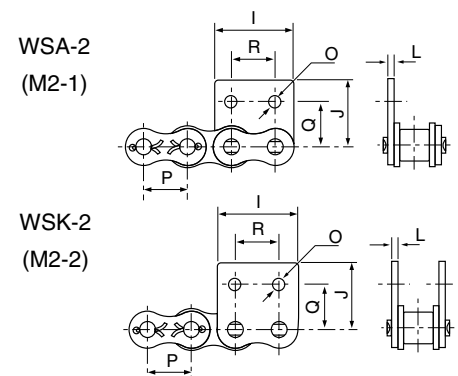
WA-1 & WK-2 Attachments



WSA-2 & WSK-2 Attachments (M2-1 & M2-2)

ISO No.	ANSI No.	P	I	R	J	Q	L	O
	40	12.700	23.00	12.70	17.40	12.70	1.50	3.40
	50	15.875	28.80	15.88	23.05	15.90	2.03	5.50
	60	19.050	34.65	19.05	26.86	18.30	2.42	5.50
	80	25.400	45.90	25.40	35.45	24.60	3.25	6.80
	100	31.750	57.65	31.75	44.00	31.80	4.00	9.20
08B		12.700	23.30	12.70	18.90	13.35	1.60	4.30
10B		15.875	29.58	15.88	22.95	16.50	1.70	5.30
12B		19.050	34.05	19.05	28.60	21.45	1.85	6.40
16B		25.400	46.40	25.40	34.00	23.15	3.10	6.40

WSA-2 & WSK-2 Attachments

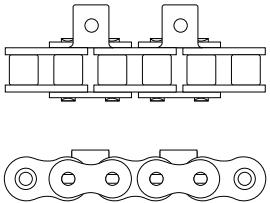


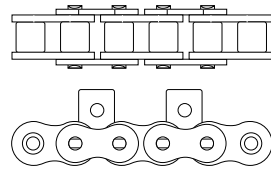
* Straight side plates

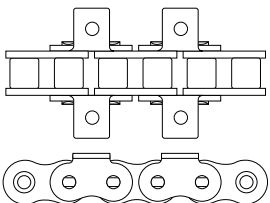
Roller Chain Attachments

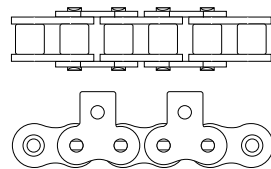
Attachment Chain Designation

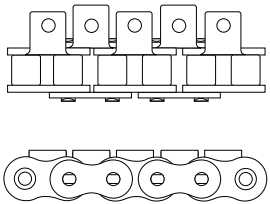
Packed in 5m Boxes

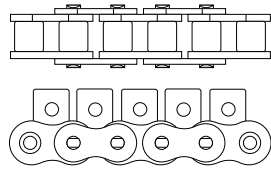
1. Standard Chains with bent attachment A1 - one hole - one side - every outer	
	Chain Reference
	06BA-2
	08BA-2
	10BA-2
	12BA-2
16BA-2	

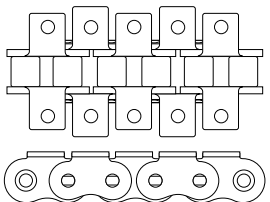
7. Standard Chains with straight attachment SA1 - one hole - one side - every outer	
	Chain Reference
	06BSA-2
	08BSA-2
	10BSA-2
	12BSA-2
16BSA-2	

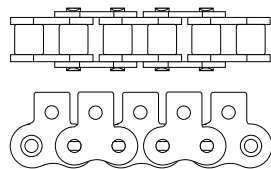
2. Standard Chains with bent attachment K1 - one hole - both sides - every outer	
	Chain Reference
	06BK-2
	08BK-2
	10BK-2
	12BK-2
16BK-2	

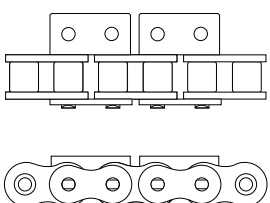
8. Standard Chains with straight attachment SK1 - one hole - both sides - every outer	
	Chain Reference
	06BSK-2
	08BSK-2
	10BSK-2
	12BSK-2
16BSK-2	

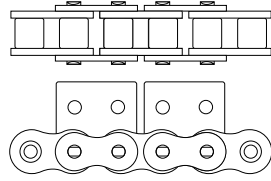
3. Standard Chains with bent attachment A1 - one hole - one side - every outer and inner	
	Chain Reference
	06BA-1
	08BA-1
	10BA-1
	12BA-1
16BA-1	

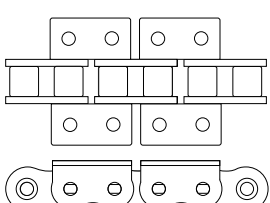
9. Standard Chains with straight attachment SA1 - one hole - one side - every outer and inner	
	Chain Reference
	06BSA-1
	08BSA-1
	10BSA-1
	12BSA-1
16BSA-1	

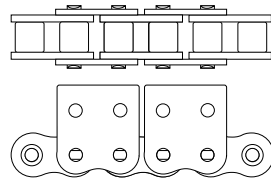
4. Standard Chains with bent attachment K1 - one hole - both sides - every outer and inner	
	Chain Reference
	06BK-1
	08BK-1
	10BK-1
	12BK-1
16BK-1	

10. Standard Chains with straight attachment SK1 - one hole - both sides - every outer and inner	
	Chain Reference
	06BSK-1
	08BSK-1
	10BSK-1
	12BSK-1
16BSK-1	

5. Standard Chains with bent attachment WA2 - two holes - one side - every outer	
	Chain Reference
	06BWA-2
	08BWA-2
	10BWA-2
	12BWA-2
16BWA-2	

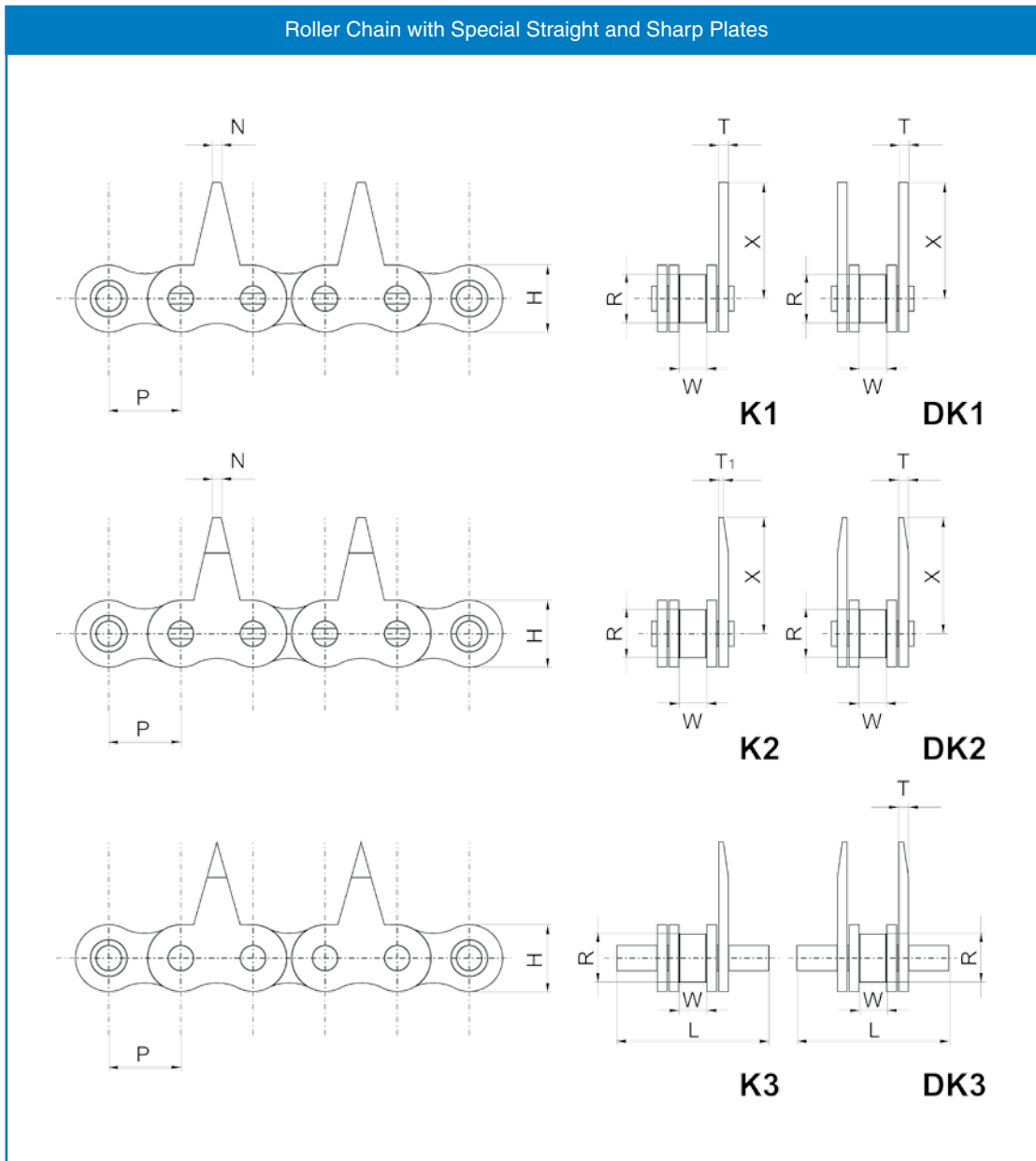
11. Standard Chains with straight attachment WSA2 - two holes - one side - every outer	
	Chain Reference
	06BWSA-2
	08BWSA-2
	10BWSA-2
	12BWSA-2
16BWSA-2	

6. Standard Chains with bent attachment WK2 - two holes - both sides - every outer	
	Chain Reference
	06BWK-2
	08BWK-2
	10BWK-2
	12BWK-2
16BWK-2	

12. Standard Chains with straight attachment WSK2 - two holes - both sides - every outer	
	Chain Reference
	06WSK-2
	08BWSK-2
	10BWSK-2
	12BWSK-2
16BWSK-1	

Roller Chain Attachments

Roller Chain with Special Straight and Sharp Plates



Model	Dimensions	Pitch	Working	Roller	Pin	Height of						Tensile
	P x W		dimensions			dia.	plate links	T	L	T1	X	
	inch	P	W min	R max	D max	H max						kN
08 B/K1	1/2" x 5/16"	12.70	7.75	8.51	4.45	10.80	1.3	16.40	-	14.5	1.2	18.2
08 B/K2	1/2" x 5/16"	12.70	7.75	8.51	4.45	10.80	1.3	16.40	0.3	14.5	1.2	18.2
12 B/K3	3/4" x 7/16"	19.05	11.68	12.07	5.71	16.13	1.3	29.35	-	-	-	29.5